

## SINGLE SEAT TWO WAY CONTROL VALVES PED 97/23/CE SEP



### TYPE 2500 AR

Normally closed – Air opens

### TIPO 2500 AD

Normally open – Air closes

#### DESCRIPTION

The PTFE series type 2500 AD/Arare made of PTFE rod, are equipped with two ways "straight-through" pattern body with NPT connections.

Are recommended in chemical applications as the body is a strong acid resistant.

Modulating PTFE plug suitable for control of virtually all line media. Compact construction available in Ø ½" – ¾" – 1" diameters, and assembled with multispring pneumatic actuator having 3-15 psi standard control signal. On request the valve can be equipped with a pneumatic or electro-pneumatic pilot positioner.

**SIZES** : from Ø 1/2" to Ø 1"

#### BODY CONNECTIONS :

- NPT Female Screwed

#### BODY and INSIDE PARTS MATERIAL :

- PTFE 100 %

#### PLUGS :

- PL = linear class VI°
- EQP = equal percentage class VI°
- On request reduced bore or microflow (•)

**BONNET** : Standard for temperature from -5 to + 99 °C

**PREMISTOPPA** : PTFE 100% rings for temperature ≤ 99 °C

#### TECHNICAL CHARACTERISTICS OF PNEUMATIC ACTUATOR:

- Actuator : diaphragm type
- Control signal : 3-15 psi
- Max air supply pressure : 18 psi (1,28 bar)
- Ambient temperature : -20 ... +70 °C
- Actuator casing materials : Acciaio Inox AISI 304
- Diaphragm material : EPDM 70
- Yoke material : Acc. Inox CF8 (AISI 304)
- Pneumatic connections : ISO 7 Rp – 1/8"

#### MAX WORKING CONDITIONS :

- Max inlet pressure and temperature : 6 bar - 5°C....+ 99 °C
- Valve sizing : see spec. 100/VP
- Rangeability : see spec. GRAFICI/I

#### ON REQUEST :

- Reduced bore (see below table)
- Pneumatic Pilot Positioner 3-15 psi ... 3-9 psi ... 9-15 psi
- Electro-pneumatic pilot positioner 4-20 mA ..4-12 mA ..12-20 mA
- Air filter regulator
- Proximity limit switches
- 3-way solenoid valve

**CV = american unit (flowrate in USGPM with 1 psi of differential pressure)**

**Kv = metric unit (flowrate in m3/h with 1 bar of differential pressure)**

Plugs Full bore		Ø 1/2"	Ø 3/4"	Ø 1"
PL	CV	3.01	4.70	5.39
	KV	2.59	4.05	4.65
EQP	CV	3.01	4.70	5.39
	KV	2.59	4.05	4.65
Red. bore*		See below	See below	See below

#### (•) MICROFLOW BORE TABLE

Ø1/2 – 3/4 – 1"	MFP 1/8"	MFP 3/16"	MFP 1/4"	MFP 3/8"	MFS1SG 1/4"	MFS2SG 1/4"	MFS1SG 3/8"	MFS2SG 3/8"
CV	0.26	0.71	1.28	2.62	0.65	1.21	1.22	2.25
KV	0.22	0.61	1.10	2.26	0.56	1.04	1.05	1.94

MFP = Linear. MFS = equal percentage \* CV and KV values are referred to the selected diameter and plug type PL / EQP only.

# CONFLOW s.p.a.

COMPANY  
WITH QUALITY SYSTEM  
CERTIFIED BY DNV  
== ISO 9001 ==

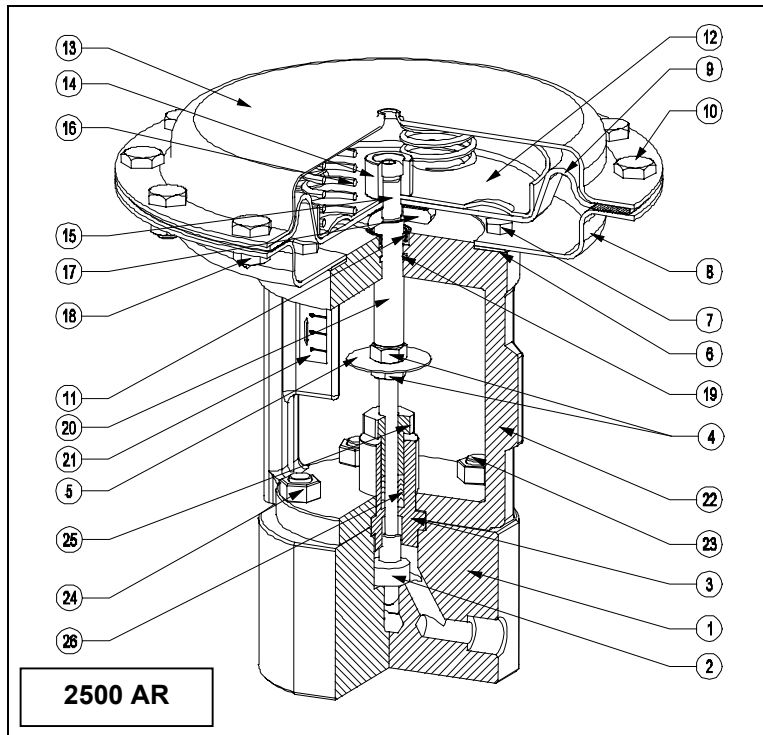
Via Lecco, 69/71  
20041 AGRATE BRIANZA (MI)  
Tel. 039/651.705 - 650.397  
Fax 039/654.018  
e-mail : sales@conflow.it  
www.conflow.it

# Maximum permissible pressure drops in Kg/cm<sup>2</sup> (fluid opens) Strokes in mm – Signals in psi

Actuator type	Signal psi	Ø 1/2 "	Ø 3/4 "	Ø 1 "
		Stroke 11	Stroke 11	Stroke 11
T200	3-15 psi	12	8	6

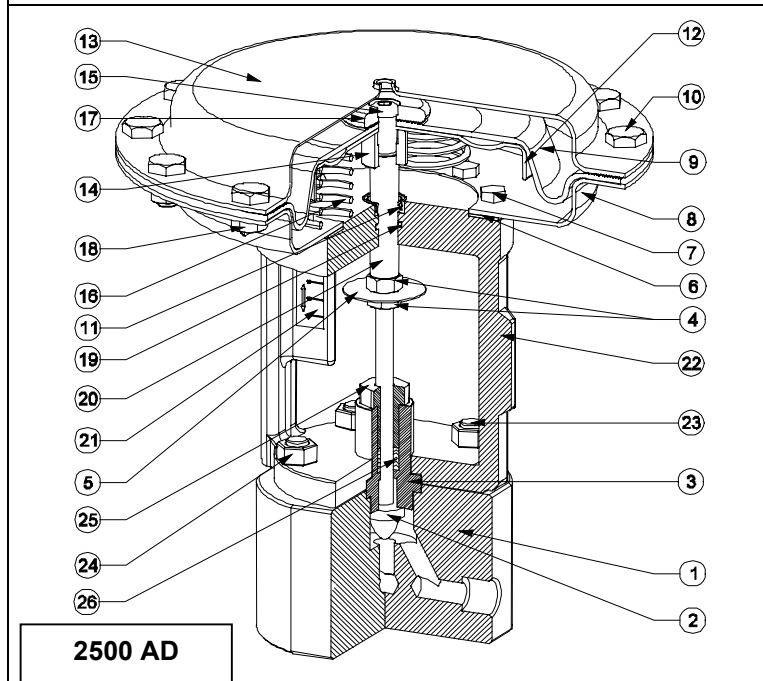
- 1 The actuator DELTA-PI (PRESSURE DROPS with CLOSED VALVE) are obtained without a residual thrust of air into the actuator
2. The actuator DELTA-PI "AD" version (PRESSURE DROPS with CLOSED VALVE) into the 3-15 psi column are obtained by a thrust of 18 psi.
3. The values given are referred to the force of actuator and they can be used within the limit of the body rating

## COMPONENTS LIST AND MATERIAL

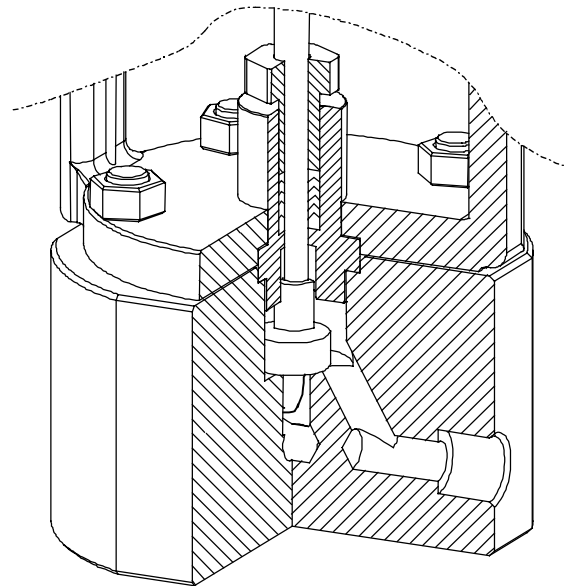


### COMPONENTS LIST

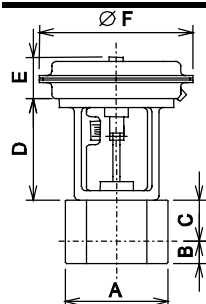
COMPONENTS LIST	MATERIALS
1. Body	1. PTFE
2. Plug with integrated stem	2. PTFE
3. Bonnet	3. PTFE
4. Position indicator bolts	4. St. Steel AISI 304
5. Position indicator	5. Alluminium
6. Yoke gasket	6. Cork - Rubber
7. Lower diaphragm casing internal bolts	7. St. Steel AISI 304
8. Lower diaphragm casing	8. St. Steel AISI 304
9. Diaphragm	9. EPDM 70
10. Diaphragm casing locknuts	10. St. Steel AISI 304
11. Airtight	11. NBR
12. Diaphragm plate	12. Fe P01
13. Upper diaphragm casing	13. St. Steel AISI 304
14. Diaphragm bush	14. St. Steel AISI 303
15. Diaphragm locknut	15. St. Steel AISI 304
16. Springs	16. C98 UNI 3823
17. Diaphragm spacer	17. Galvanized steel
18. Diaphragm casing bolts	18. St. Steel AISI 304
19. "O" ring	19. NBR
20. Diaphragm rod	20. St. Steel AISI 303
21. Travel indicator plate	21. Polycarbonate
22. Yoke	22. St. Steel AISI 304
23. Stud-bolts	23. St. Steel AISI 304
24. Yoke locknuts	24. St. Steel AISI 304
25. Packing adjusting nut	25. PTFE
26. Packing rings	26. "V" PTFE



### PTFE BODY DETAILS



## DIMENSIONS in mm.



Ø	A	B	C	D
1/2 "	130	26	59	147
3/4 "	130	26	59	147
1 "	130	26	59	147

Actuator	E	Ø F
T 200	70	210