

Pressure gauge – DN63

Type A09 - Plus Line

Date: September 2005

Sheet No.: 1-20GB

Industrial, Maritime Pressure Gauge

- Liquid filled to damp pulsations and give extra long life
- Direct, surface or panel mounting
- Connection: bottom or rear center
- Long term stable
- Scale in accordance with international standards
- Large stock range available

Application

The gauge series is well suited for applications in any industrial or maritime environment where local indication is required.

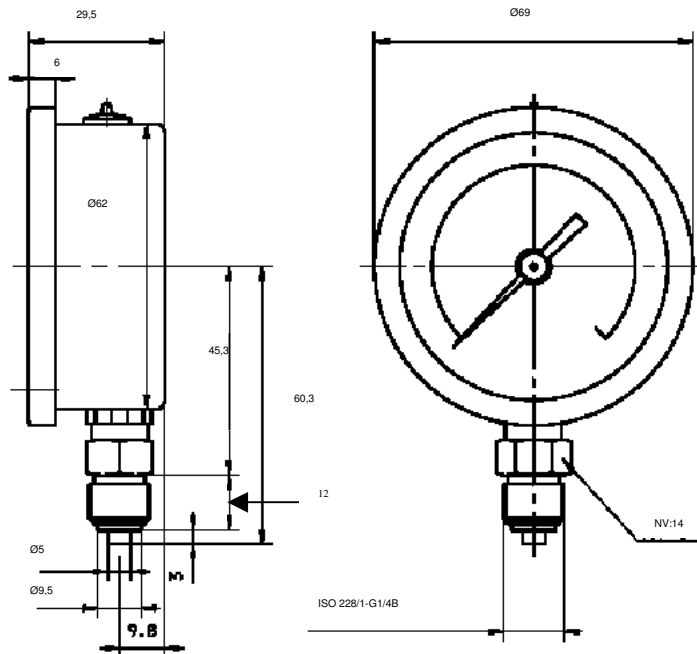
TEMPRESS Design

From the front, the gauge matches the rest of the TEMPRESS product program. This gauge type offers the flexibility to choose a special scale or customer logo, even for smaller quantities.

Standard ranges are kept in stock for quick delivery.

Specifications

Pressure gauge	DN 63
Type	A0901
Case, material	AISI304
Front glass	Polycarbonate
Liquid filling	Glycerine
Connection	G1/4B, brass Option: AISI316
Measuring system	Brass/bronze Option: AISI316
Measuring range	-1 Bar through 60 Bar
Accuracy	Cl. 1.6 ($\pm 1,6\%$ FS)
Measuring units	Bar, Mpa, kPa, kp/cm ² , kg/cm ²



TEMPRESS reserves the right to changes without notice

Agent/Dealer:



TEMPRESS A/S

Nordlandsvej 64-66
DK-8240 Risskov, Denmark
Tel.: +45 8932 5210
Fax.: +45 8932 5213
sales@tempress.dk
www.tempress.dk