

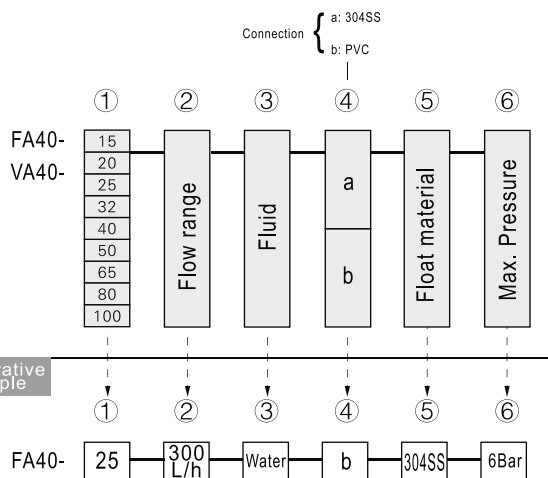
The series of glass rotor flowmeter is an integrated product by cone-shaped glass tube, float, flanges. The installation is easy and the flowmeter is adjustable, the flowmeter is used in ranges such as semi-conductor chemicals etc.

- Temperature Limit: PVC $\leq 60^{\circ}\text{C}$,
304SS $\leq 180^{\circ}\text{C}$
- Accuracy: $\pm 5\%$

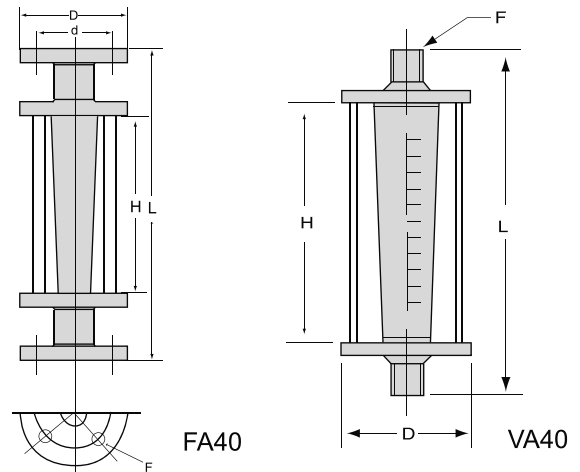
Specification

DN	Measure Range		Working pressure (Bar)	
	Water (L/h)	Air (NL/min)	304SS	PVC
15	30-300	10-100	≤ 7	≤ 4
	60-600	20-200		
	90-900	25-250		
20	90-900	20-200		
	120-1200	30-300		
	180-1800	50-500		
25	180-1800	50-500		
	300-3000	100-1000		
	480-4800	150-1500		
32	480-4800	200-2000		
	600-6000	250-2500		
	720-7200	300-3000		
40	1-10m ³ /h	18-180Nm ³ /h	≤ 5	≤ 3
	1.2-12m ³ /h	20-200Nm ³ /h		
	1.5-15m ³ /h	25-250Nm ³ /h		
50	1.2-12m ³ /h	20-200Nm ³ /h		
	1.5-15m ³ /h	25-250Nm ³ /h		
	1.8-18m ³ /h	30-300Nm ³ /h		
65	1.8-18m ³ /h	25-250Nm ³ /h		
	3-30m ³ /h	35-350Nm ³ /h		
	4-40m ³ /h	40-400Nm ³ /h		
80	4-40m ³ /h	40-400Nm ³ /h		
	5-50m ³ /h	50-500Nm ³ /h		
	6-60m ³ /h	60-600Nm ³ /h		
100	6-60m ³ /h	60-600Nm ³ /h		
	7-70m ³ /h	70-700Nm ³ /h		
	10-100m ³ /h	90-900Nm ³ /h		

Ordering



* Refer to "Ordering" and "Illustrative example" when placing an order or requesting a quotation. Fill in the blanks in the "Order/Quotation Request Card" at the end of the catalog, and send the card by fax.



FA40 Installation Size (mm)

	15	20	25	32	40	50	65	80	100	
L	260	340	340	340	340	340	390	390	410	
H	150	200	200	200	200	200	250	250	250	
D	95	105	115	120	130	140	160	190	210	
d	65	75	85	90	100	110	130	150	170	
F	14	14	14	14	14	14	14	18	18	
Weight (kg)	304SS	5	6	8	9	10	14	20	25	30
	PVC	3	3	4	6	7	9	15	13	22

VA40 Installation Size (Thread Connection)(mm)

	15	20	25	32	40	50
L	250	300	310	320	330	360
H	150	200	200	200	200	200
D	100	110	120	145	155	170
F	1/2"	3/4"	1"	1 1/4"	1 1/2"	2"