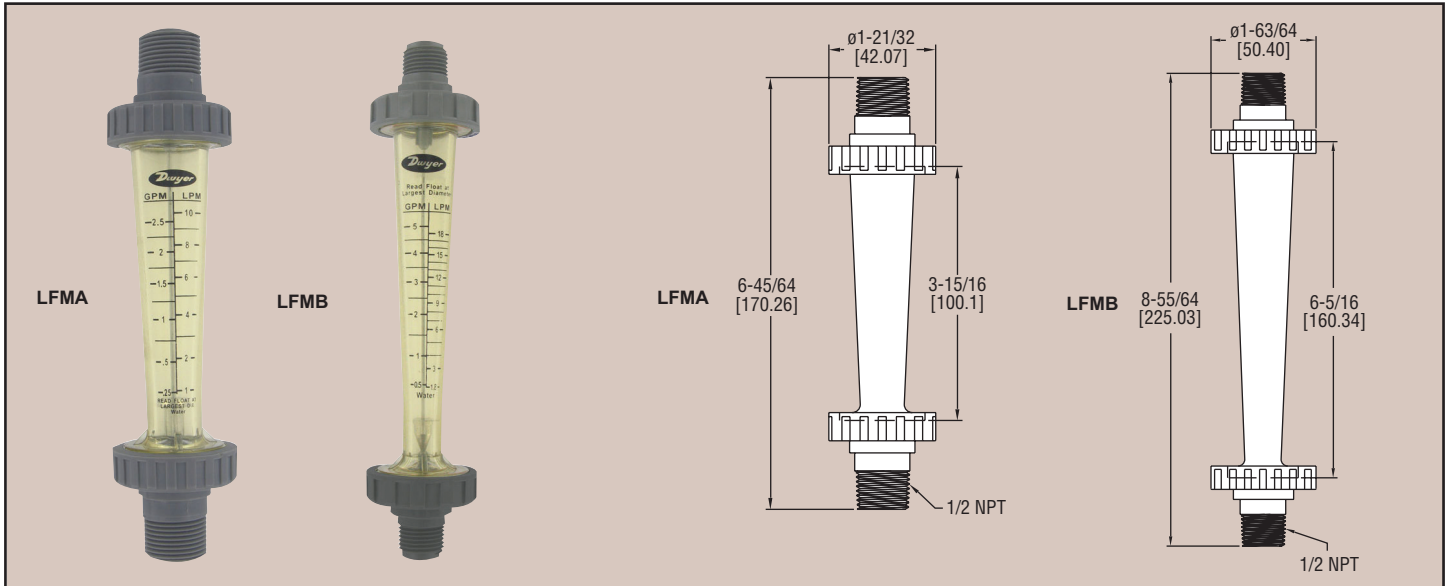




Series  
LFM

# Polycarbonate Flowmeter

## In-Line or Panel Mount Meters



The **New LFM Series Flowmeters** are made of injection molded, heat and chemically resistant polycarbonate bodies and fittings. Series LFM flow meters have dual scales measuring in both GPM and LPM with 5% accuracy. A textured background on the body enhances scale readability. Standard in-line models come with 1/2" male NPT process connections while panel mount installation is available with 90° elbow fittings that include panel lock nuts. Various other fittings are available.

### SPECIFICATIONS

**Service:** Water.

**Wetted Materials:**

Body: Polycarbonate;

Flange nut: ABS;

Float stop: ABS;

O-rings: Fluoroelastomer;

Rod & float: 316 SS;

Connections: Metric union and male NPT fittings-ABS; 90° male NPT elbow fittings-PVC.

**Pressure Limit:** 120 psi (8.2 bar) at 68°F (20°C); 90° elbow fittings 116 psi (8 bar) at 68°F (20°C).

**Accuracy:** ±5%.

**Process Connection:** LFMA: 1/2" male NPT. Optional 20 mm metric union; LFMB: 1/2" male NPT. Optional 20mm metric union or 1/2" male NPT with 90° elbow.

**Weight:** LFMA: 2 oz (56.7 g); LFMB: 3 oz (85.0 g).

### ACCESSORIES

#### LFMA

**A-560**, 20 mm Metric Union Fittings-ABS

**A-566**, 1/2" male NPT Fittings-ABS

#### LFMB

**A-561**, 20 mm Metric Union Fittings-ABS

**A-567**, 1/2" male NPT Fittings-ABS

**A-575**, 1/2" male NPT with 90° Elbow Fittings-PVC

**CAUTION:** Series LFM Flowmeters are for indoor use only or areas without direct sunlight. Polycarbonate is adversely affected by ultraviolet light.

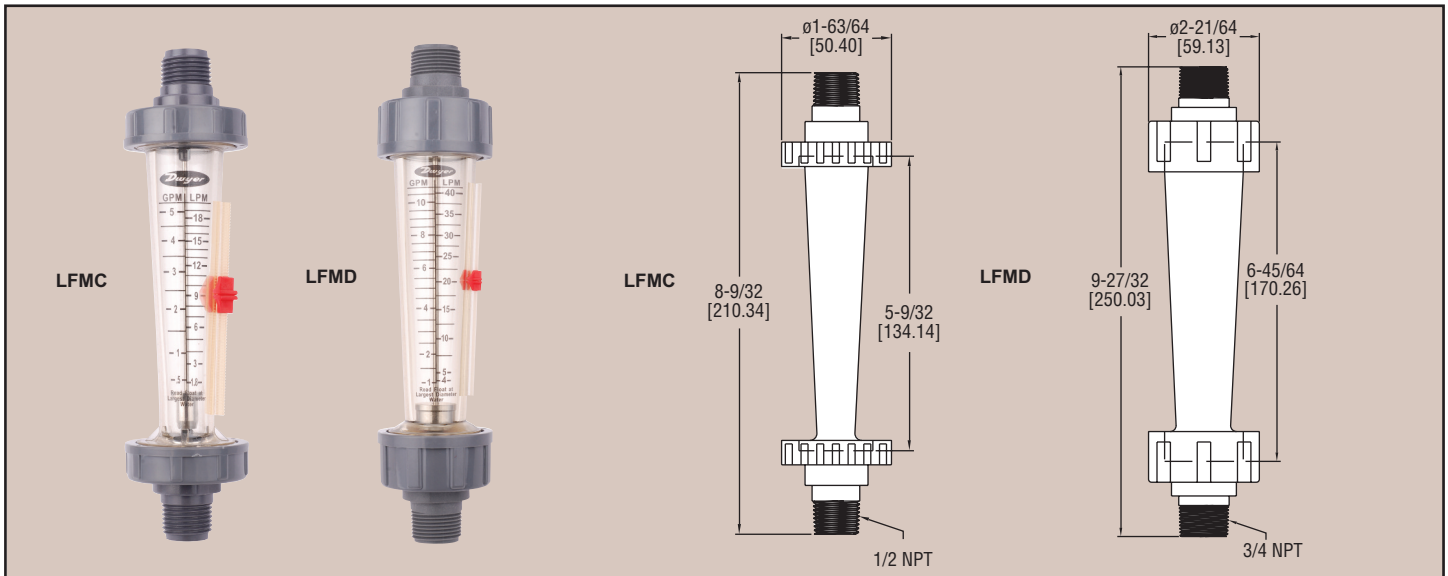
Model	Range (GPM water)	Process Connection	Float
LFMA-01-A2	0.1-1 (.5-4 LPM)	1/2" male NPT	316 SS
LFMA-02-A2	0.2-2 (1-7 LPM)	1/2" male NPT	316 SS
LFMA-03-A2	0.5-5 (1.8-18 LPM)	1/2" male NPT	316 SS
LFMB-04-A2	0.1-1 (.5-4 LPM)	1/2" male NPT	316 SS
LFMB-05-A2	0.2-2 (1-7 LPM)	1/2" male NPT	316 SS
LFMB-06-A2	0.5-5 (1.8-18 LPM)	1/2" male NPT	316 SS



Series  
LFM

# Polycarbonate Flowmeter

In-Line or Panel Mount Meters. New Adjustable Set Point Indicator



The **New LFM Series Flowmeters** are made of injection molded, heat and chemically resistant polycarbonate bodies and fittings. Series LFM flow meters have dual scales measuring in both GPM and LPM with 5% accuracy. A textured background on the body enhances scale readability. Standard in-line models come with 1/2" male NPT connections for LPMC and 3/4" male NPT connections for LFMD. Panel mount installation is available with 90° elbow fittings that includes panel lock nuts. Various other fittings are available.

## SPECIFICATIONS

**Service:** Water.

**Wetted Materials:**

- Body: Polycarbonate;
- Flange nut: ABS;
- Float stop: LPMC-ABS; LFMD-polypropylene;
- O-rings: Fluoroelastomer;
- Rod & float: 316 SS;
- Connections:

- 90° male NPT elbow fittings-PVC.
- 20 mm metric union fittings-ABS.
- 32 mm metric union fittings-PVC.
- 1/2" & 3/4" male NPT fittings for LPMC-ABS.
- 3/4" male and female NPT fittings for LFMD-PA66 nylon.

**Pressure Limit:** 120 psi (8.2 bar) at 68°F (20°C); 90° elbow fitting 116 psi (8 bar) at 68°F (20°C).

**Accuracy:** ±5%.

**Process Connection:** LPMC: 1/2" male NPT. Optional 20 mm metric union, 3/4" male NPT, or 1/2" male NPT with 90° elbow; LFMD: 3/4" male NPT. Optional 32 mm metric union, 3/4" female NPT, or 3/4" male NPT with 90° elbow.

**Weight:** LPMC: 4 oz (113.4 g); LFMD: 10 oz (283.5 g).

## ACCESSORIES

### LPMC

- A-562, 20 mm Metric Union Fittings-ABS
- A-567, 1/2" male NPT Fittings-ABS
- A-568, 3/4" male NPT Fittings-ABS
- A-576, 1/2" male NPT with 90° Elbow Fittings-PVC

### LFMD

- A-563, 32 mm Metric Union Fittings-PVC
- A-569, 3/4" male NPT Fittings-Nylon
- A-572, 3/4" female NPT Fittings-Nylon
- A-577, 3/4" male NPT with 90° Elbow Fittings-PVC

**CAUTION:** Series LFM Flowmeters are for indoor use only or areas without direct sunlight. Polycarbonate is adversely affected by ultraviolet light.

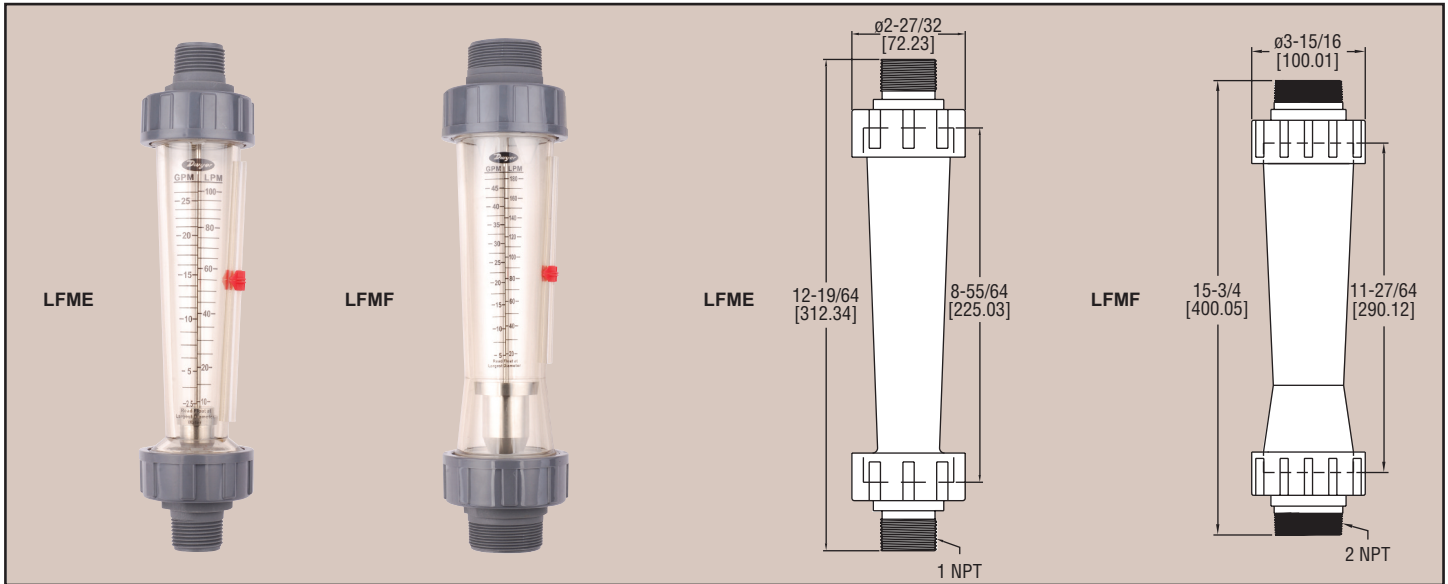
Model	Range (GPM water)	Process Connection	Float
LFMC-07-A2	0.25-2.5 (1-10 LPM)	1/2" male NPT	316 SS
LFMC-08-A2	0.5-5 (1.8-18 LPM)	1/2" male NPT	316 SS
LFMC-09-A2	0.8-8 (3-30 LPM)	1/2" male NPT	316 SS
LFMD-10-C2	0.8-8 (3-30 LPM)	3/4" male NPT	316 SS
LFMD-11-C2	1-10 (4-40 LPM)	3/4" male NPT	316 SS



Series  
LFM

# Polycarbonate Flowmeter

In-Line or Panel Mount Meters. New Adjustable Set Point Indicator



The **New LFM Series Flowmeters** are made of injection molded, heat and chemically resistant polycarbonate bodies and fittings. Series LFM flow meters have dual scales measuring in both GPM and LPM with 5% accuracy. A textured background on the body enhances scale readability. Standard in-line models come with 1/2" male NPT connections for LFME and 2" male NPT connections for LFMF. Panel mount installation is available with 90° elbow fittings that includes panel lock nuts. Various other fittings are available.

## SPECIFICATIONS

**Service:** Water.

### Wetted Materials:

- Body: Polycarbonate;
- Flange nut: ABS;
- Float stop: Polypropylene;
- O-rings: Fluoroelastomer;
- Rod & float: 316 SS;
- Connections:

- Male & female NPT fittings-PA66 nylon;
- 1" male NPT 90° elbow fittings-PVC;
- 40 mm metric union fittings-PVC;
- 63 mm metric union fittings-ABS.

**Pressure Limit:** 120 psi (8.2 bar) at 68°F (20°C); 90° elbow fittings 116 psi (8 bar) at 68°F (20°C).

**Accuracy:** ±5%.

**Process Connection:** LFME: 1" male NPT. Optional 40 mm metric union, 1" female NPT, or 1" male NPT with 90° elbow; LFMF: 2" male NPT. Optional 63 mm metric union or 2" female NPT.

**Weight:** LFME: 15 oz (425.2 g); LFMF: 40 oz (1.1 kg).

## ACCESSORIES

### LFME

- A-564, 40 mm Metric Union Fittings-PVC
- A-570, 1" male NPT Fittings-Nylon
- A-573, 1" female NPT Fittings-Nylon
- A-578, 1" male NPT with 90° Elbow Fittings-PVC

### LFMF

- A-565, 63 mm Metric Union Fittings-ABS
- A-571, 2" male NPT Fittings-Nylon
- A-574, 2" female NPT Fittings-Nylon

**CAUTION:** Series LFM Flowmeters are for indoor use only or areas without direct sunlight. Polycarbonate is adversely affected by ultraviolet light.

Model	Range (GPM water)	Process Connection	Float
LFME-12-F2	1.2-12 (5-50 LPM)	1" male NPT	316 SS
LFME-13-F2	2-20 (8-80 LPM)	1" male NPT	316 SS
LFME-14-F2	2.5-25 (10-100 LPM)	1" male NPT	316 SS
LFMF-15-I2	2.5-25 (10-100 LPM)	2" male NPT	316 SS
LFMF-16-I2	5-45 (20-180 LPM)	2" male NPT	316 SS
LFMF-17-I2	7-70 (25-250 LPM)	2" male NPT	316 SS