

The major parts of Z-500 series pipe flowmeter: material of taper tube is polycarbonate(PC), the connectors are polyvinyl chloride(PA66), the float material is stainless steel or ABS, can be acidproof and alkali-resisting.

- Max. working pressure: 10Bar
- Temperature limit: 60°C
- Accuracy: ± 5%
- O-ring material: EPDM

Specification

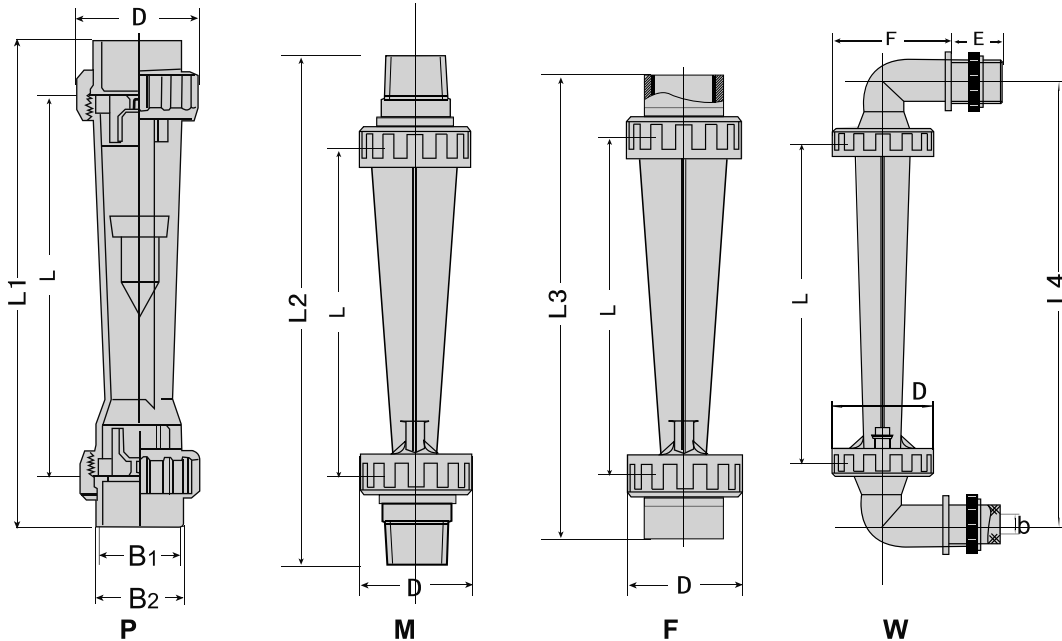
Model	Water		Pipe Connection	Male Thread	Female Thread	Elbow (W)
	(GPM)	(LPM)				
Z-5008	0.1~1 0.2~2 0.5~5	0.5~4 1~7 1.8~18	ø20	1/2"NPT	/	1/2"NPT 1/2"BSP
Z-5008C	0.1~1 0.2~2 0.5~5	0.5~4 1~7 1.8~18	ø20	1/2"NPT	1/2"NPT 1/2"BSP	1/2"NPT 1/2"BSP
Z-5015	0.25~2.5 0.5~5 0.8~8	1~10 1.8~18 3~30	ø20	1/2"NPT 3/4"NPT	1/2"NPT 1/2"BSP	1/2"NPT 1/2"BSP
Z-5025	0.8~8 1~10	3~30 4~40	ø32	3/4"NPT	3/4"NPT 3/4"BSP	3/4"NPT 3/4"BSP
Z-5032	1.2~12 2~20 2.5~25	5~50 8~80 10~100	ø40	1"NPT	1"NPT 1"BSP	1"NPT 1"BSP
Z-5050	2.5~25 5~45 7~70	10~100 20~180 25~250	ø63	2"NPT	2"NPT 2"BSP	2"NPT 2"BSP
Z-5065	25~110 40~160 50~250	80~400 150~650 200~1000	ø75	/	2 1/2"NPT	/
Z-50100	12~60(m³/h) 18~90(m³/h) 20~120(m³/h)		ø110	Centre hole distance Φ180mm		
Z-50125	25~150(m³/h) 30~180(m³/h)		ø110	Centre hole distance Φ210mm		

LZS-15 Specification

Model	Water (L/h)		Pipe Connection	Male Thread	Female Thread	Elbow (W)
LZS-15	6~60 16~160 40~400	10~100 25~250 60~600				

Note: Other flow range is optional

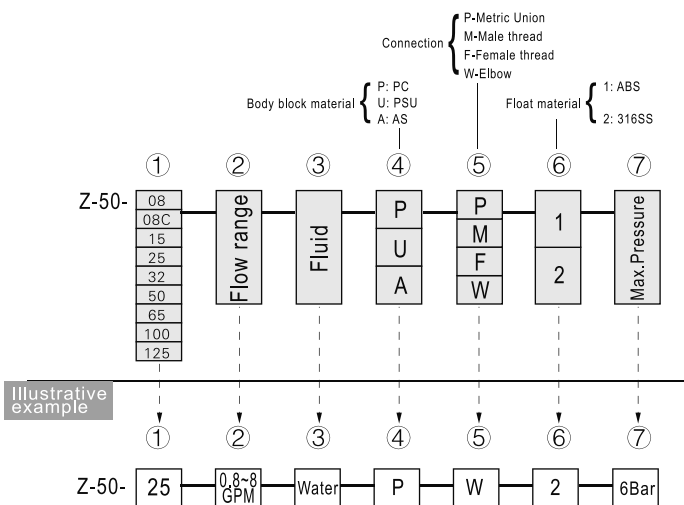




Unit (mm)

Model	L	D	Metric Union (P)			Male Thread (M)	Female Thread (F)	Elbow(W)				Weight (kg)
			L1	B1	B2	L2	L3	L4	E	F	b	
Z-5008	100	42	150	20	26	170	/	153	27	55	ø13	0.15
Z-5008C	160	50	208	20	26	225	/	252	27	55	ø13	0.2
Z-5015	134	50	180	20	26	210	/	205	27	55	ø13	0.2
Z-5025	170	59	230	32	39	250	225	270	25	83	ø20	0.4
Z-5032	225	72	290	40	49	312	290	325	31	95	ø25	0.65
Z-5050	290	100	375	63	73	400	370	440	40	120	ø45	2.5
Z-5065	325	120	420	75	89	/	423	/	/	/	/	3.5

Ordering



Z-5008~Z-5125 Materials

Model	Body material	Metric Union (P)	Male Thread	Female Thread	Elbow (W)	Float material
Z-5008	PC,PSU	PVC	PA6	PA66	PVC	316
Z-5008C	PC,PSU	PVC	PA6	PA66	PVC	316
Z-5015	PC,PSU	PVC	PA6	PA66	PVC	316
Z-5025	PC	PVC	PA6	PA66	PVC	ABS,316
Z-5032	PC	PVC	PA6	PA66	PVC	ABS,316
Z-5050	PC,PSU	PVC	PA6	PA66	PA6	ABS,316
Z-5065	AS	ABS	PA6	PA66		ABS
Z-50100	AS	ABS				ABS
Z-50125	AS	ABS				ABS

* Refer to "Ordering" and "Illustrative example" when placing an order or requesting a quotation. Fill in the blanks in the "Order/Quotation Request Card" at the end of the catalog, and send the card by fax.

* PSU (Polysulfone) PC(Polycarbonate) "W" type: Panel installation AS(Acrylonitrile)