



**Maximum permissible pressure drops in Kg/cm2 (fluid opens)**

**Strokes in mm – Signals in psi**

Actuator Type	Signal psi	DN 65	DN 80	DN 100	DN 125	DN 150	DN 200
		Stroke 28	Stroke 28	Stroke 28	Stroke 50	Stroke 50	Stroke 50
T310	3-15 psi	26	21	10	n.a.	n.a.	n.a.
	6-30 psi	187	149	74	n.a.	n.a.	n.a.
T400	3-15 psi	39	31	15	11.8	7.8	3.9
	6-30 psi	276	220	110	82	55	27
T500	3-15 psi	65	52	26	19.7	13.1	6.5
	6-30 psi	460	368	184	138	92	46

n.a. = not applicable

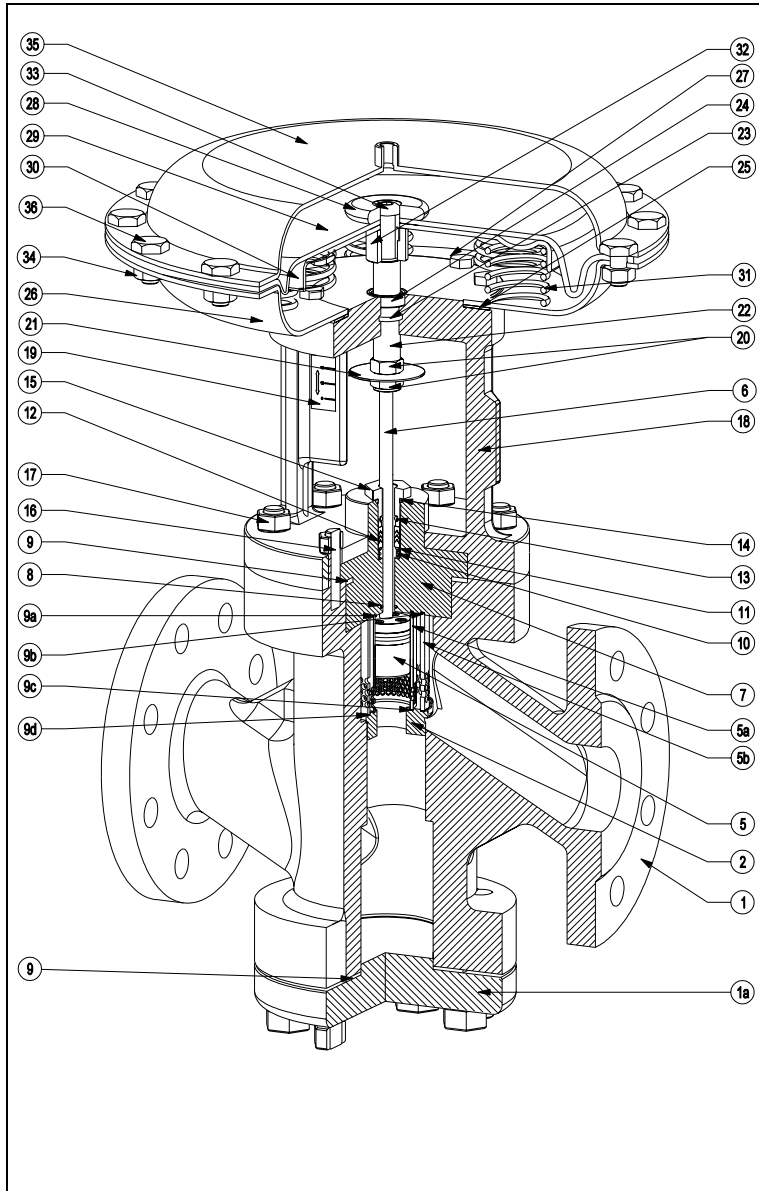
1. The values given are referred to the force of actuator and they can be used within the limit of the body rating

2. The actuator DELTA-PI (PRESSURE DROPS with CLOSED VALVE) given in the column 3-15 psi are obtained with a thrust of 18 psi

3. The actuator DELTA-PI (PRESSURE DROPS with CLOSED VALVE) given in the column 6-30 psi are obtained with a thrust of 30 psi

4. For the reduced passage valve consider the DELTA-PI given in the right column.

**COMPONENTS LIST AND MATERIALS**



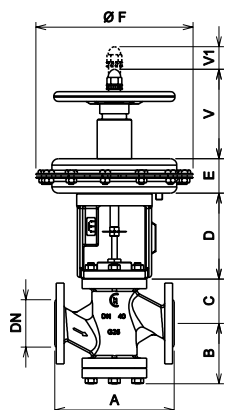
**COMPONENT LIST**

1. Body
2. seat
5. Piston plug with lower ring and upper tight
- 5a. Internal Simple Cage
- 5b. External Double Cage
6. Stem
7. Bonnet
8. "O" Ring
9. Body gaskets
- 9a. Upper internal cage gasket
- 9b. Upper external cage gasket
- 9c. Lower internal cage gasket
- 9d. Lower external cage gasket
10. Packing spring
11. Packing washer
12. Packing rings
13. Internal "O" ring
14. External "O" ring
15. Packing adjusting nut
16. Stud-bolts
17. Body locknuts
18. Yoke
19. Travel indicator plate
20. Position indicator nuts
21. Position indicator
22. Diaphragm rod
23. "O" ring
24. Airtight
25. Yoke gasket
26. Lower diaphragm casing
27. Yoke locknuts
28. Diaphragm spacer
29. Diaphragm
30. Diaphragm plate
31. Springs
32. Diaphragm bush
33. Diaphragm locknut
34. Diaphragm casing bolts
35. Upper diaphragm casing
36. Diaphragm casing locknuts

**MATERIALS**

1. See note (1) at pag.1
2. AISI 316 stainless steel
5. AISI 316 st.st.+ sinterized graphite and FKM tight
- 5a. AISI 316 stainless steel
- 5b. AISI 316 stainless steel
6. AISI 316 stainless steel
7. See notes (1) (2) at pag.1
8. Viton FPM 70
9. Europil WS 3640 or PTFE
- 9a. WS 3640/C-4500 or PTFE
- 9b. WS 3640/C-4500 or PTFE
- 9c. WS 3640/C-4500 or PTFE
- 9d. WS 3640/C-4500 or PTFE
10. AISI 302 stainless steel
11. AISI 304 stainless steel
12. See note (3) at pag.1
13. Viton FPM 70
14. Viton FPM 70
15. AISI 303 stainless steel
16. Galvanized steel
17. DIN 934 galvanized steel
18. GGG50 spheroidal c. iron
19. Polycarbonate
20. DIN 936 galvanized steel
21. Aluminium
22. AISI 303 stainless steel
23. NBR
24. NBR
25. Cork – rubber
26. P11 steel
27. DIN 933 galvanized steel
28. Galvanized steel
29. EPDM 70
30. P01 steel
31. C98 UNI 3823
32. AISI 303 stainless steel
33. ISO 7380 galvanized steel
34. DIN 934 galvanized steel
35. P11 steel
36. DIN 933 galvanized steel

**DIMENSIONS in mm.**



DN	Ø	A(1)	A(2)	B	C - Bonnet			D	V	V1
					Std	Finned	Bellows			
65	2.1/2"	276	292	148	111	309	309	160	166	28
80	3"	298	317	148	135	333	333	160	166	28
100	4"	352	368	176	160	363	363	204	166	28
125	5"	403	425	223	252	435	435	213	166	50
150	6"	450	473	229	258	442	442	213	166	50
200	8"	543	568	254	283	465	465	213	166	50

Actuator	E	Ø F
T300	95	336
T400	119	408
T500	119	520

A(1) cast iron = PN16 – ANSI150 – JIS10K A(2) carbon st. = PN16 – PN40 – ANSI150 – ANSI300 – JIS10K – JIS20K  
 Specifications given are only indicative and not binding for the manufacturer who reserve the right to carry-out any modification deemed necessary without prior notice