



ABOUT LIGAO

Zhejiang Ligao pump technology Co., LTD. is a professional manufacturer of high quality metering pumps with more than 10 years experience. Our main products are electromagnetic diaphragm metering pump, mechanical diaphragm metering pump, plunger metering pump, hydraulic diaphragm metering pump, rotor pump, automatic medical-adding device, whole set of dosing devices and related parts of metering pumps and so on.

Our products are widely used in different fields: mining industry, urban environment protection, petrochemical industry, food industry, water plants, pharmaceutical industry and so on.

The company locates at Linhai, Zhejiang province, with more than 30000 square meters workshop building. Currently the total employees are more than 150 people. It owns advanced production and inspection equipments and has its own technology centre for developing and researching products. The company has built the perfect management system, which is certified under ISO9001:2008 quality management system standard.

Since its establishment in 2003, our products have distributed all over China. The company opened its overseas market since 2007 and got CE certification in 2010. Until now, our products have been exported to more than 20 countries and areas.

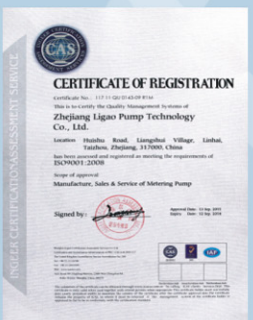
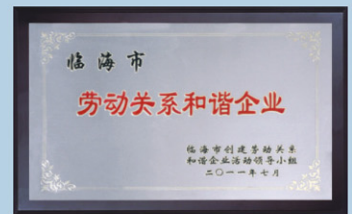
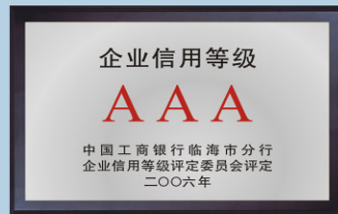
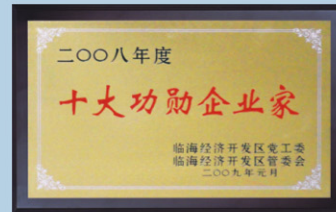
Welcome friends all over the world to establish business relationship with us to strive for a brilliant future.

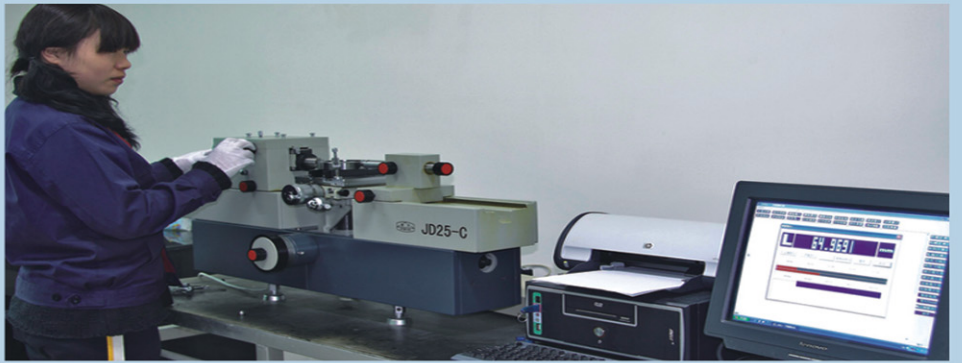


LIGAO HONORS 力高荣誉

LIGAO HONORS

ZHEJIANG LIGAO PUMP TECHNOLOGY CO.,LTD







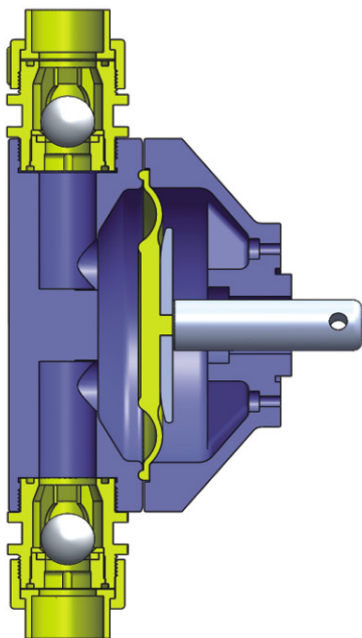
LIGAO STRENGTHS

ZHEJIANG LIGAO PUMP TECHNOLOGY CO.,LTD

LIGAO

DIAPHRAGM-TYPE METERING PUMP

HTTP://WWW.LIGAOPUMPS.COM
ZHEJIANG LIGAO PUMP TECHNOLOGY CO.,LTD.



Definition

Mechanical diaphragm metering pump is a kind of pump that the volume is periodically changed by the diaphragm cyclic deformation caused by motor.

Features

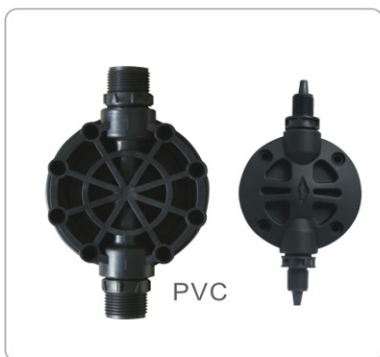
- No leakage, maintained conveniently, low noise, durable in use.
- Dosing medium with flammable and explosive, toxic, odor, radioactive are acceptable.
- The rated flow is up to 3600L/H, The pressure can be made up to 12bar, the metering accuracy can be up to $\pm 5\%$.

Construction is simple, but reliable.

Purpose

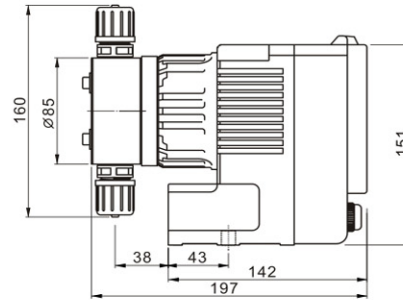
Especially used for transmitting those mediums which are strong corrosive, volatile, flammable, explosive, toxic, moderately viscous, or radioactive.

MATERIALS OF METERING PUMP

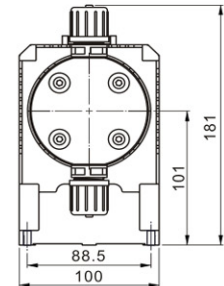




Electromagnetic Metering Pump



Power
(kw)



Weight
(kg)

Model	Flow (L/H)	Pressure (Mpa)	Frequency (stroke/min ⁻¹)	Inlet/Outlet Caliber (DN) (mm)
JLM0110	1.0	10	0~120	6
JLM0408	3.8	7.6	0~180	6
JLM0505	5.0	5	0~180	6
JLM0804	7.6	3.5	0~180	6
JLM1002	10	2	0~180	6
JLM1202	12	1.5	0~180	6
JLM1501	15	1	0~180	6

Description



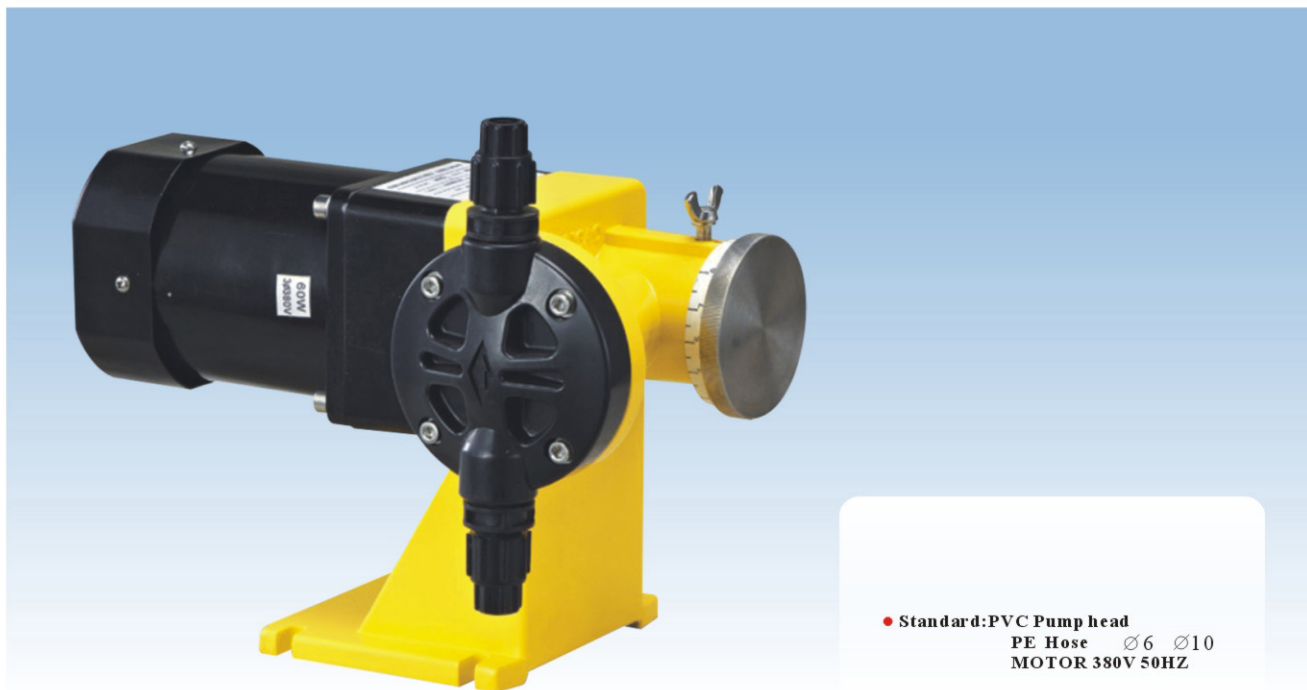
- JLM Stroke frequency adjustment 1~100%, stroke length adjustment 30% to 100%, make the discharge rate much more accuracy.
- Stroke and frequency adjustment are available, external remote control is acceptable.
- Automatic online voltage compensation and over-voltage protection
- Can receive 4~20mA control signal by external control plug
- Solenoid driven diaphragm metering pump are controlled by a PCB.

Material

	PVC	PVDF	SUS304	SUS316
Pump head	PVC	PVDF	SUS304	SUS316
Diaphragm	PTFE	PTFE	PTFE	PTFE
Valve seat	FPM	FPM	SUS304	SUS316
Valve ball	Ceramic	Ceramic	SUS316	SUS316
Outlet line	PE	PE		
Inlet line	PE	PE		

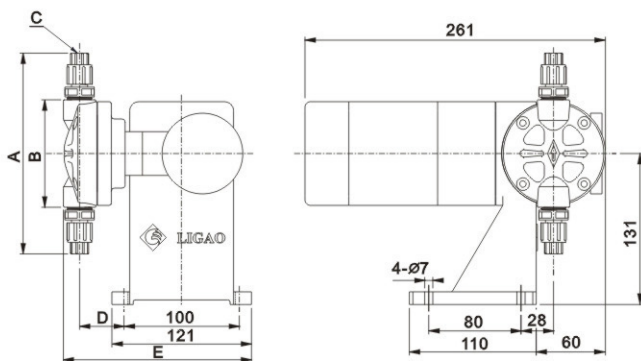


Diaphragm Metering Pump



- Standard: PVC Pump head
PE Hose $\varnothing 6$ $\varnothing 10$
MOTOR 380V 50HZ

- Option: Pump head SUS304, SUS316, PTFE
MOTOR: Single phase 220V, 110v,
24VDC, 12VDC



	A	B	C	D	E
JBB10-40	174	94	6	39	163
JBB60-130	207	114	10	41	172

■ Model	Flow (L/H)	Pressure (Mpa)	Stroke (mm)	Frequency (min ⁻¹)	Diaphragm Diameter (mm)	Power (w)	Inlet/Outlet Caliber (mm)
JBB 15/1.0	15	1.0	3	75	60	60	6
JBB 25/1.0	25	1.0	3	100	60	60	6
JBB 40/0.8	40	0.8	4	120	60	60	6
JBB 60/0.6	60	0.6	4	100	84	60	10
JBB 85/0.5	85	0.5	5	100	84	60	10
JBB 100/0.4	100	0.4	5	120	84	60	10
JBB 130/0.4	130	0.4	5	150	84	60	10

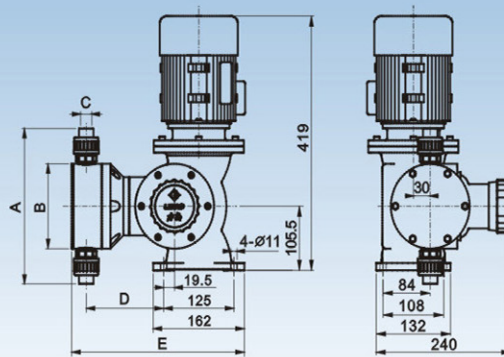
GM

Diaphragm Metering Pump



- **Standard**
Pump Head: PVC
Motor: Three-phase 380V 50HZ

- **Option**
Pump Head: SUS304 SUS316 PTFE
Motor: Three-phase 415V 400V
Singlephase 220V 110V
Explosion-proof motor,
Variable-frequency motor



	A	B	C	D	E
GM 25	172	94	6 ^①	128	285
GM50-500	256	140	DN15	137.5	312

■ Model	Flow (L/H)	Pressure (Mpa)	Stroke (min ⁻¹)	Power (kw)	Inlet/Outlet Caliber (mm)	Weight (kg)
GM 25/1.0	25	1.0	48	0.37	②	22
GM 50/1.0	50	1.0	48	0.25	DN15	22
GM 80/0.7	80	0.7	96	0.37	DN15	22
GM 120/0.7	120	0.7	48	0.37	DN15	22
GM 170/0.7	170	0.7	96	0.37	DN15	22
GM 240/0.5	240	0.5	96	0.37	DN15	22
GM 320/0.5	320	0.5	144	0.55	DN15	28
GM 420/0.5	420	0.4	144	0.55	DN15	28
GM 500/0.3	500	0.3	144	0.55	DN15	28

Note:

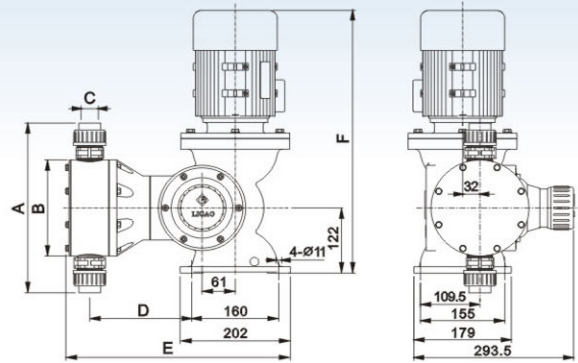
- ① PE hose
- ② $\varnothing 6$ Tubing with Strainer Bottom Valve and Injection Valve



Diaphragm Metering Pump



- **Standard**
 Pump Head: PVC
 Motor: Three-phase 380V 50HZ
- **Option**
 Pump Head: SUS304 SUS316 PTFE
 Motor : Three-phase 415V 400V
 Single phase 220V 110V
 Explosion-proof motor,
 Variable-frequency motor

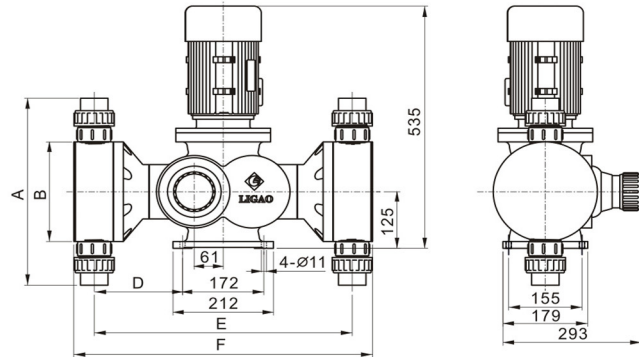


	A	B	C	D	E	F
GB380-850	318	180	DN25	187.5	414	492
GB1000	318	180	DN25	187.5	414	512
GB1400-1800	413	220	DN40	192.5	424	532

■ Model	Flow (L/H)	Pressure (Mpa)	Stroke (min ⁻¹)	Power (Kw)	Inlet/Outline Caliber (DN)	Weight (kg)
GB 380/0.6	360	0.6	48	0.75	DN25	40
GB 500/0.6	500	0.6	96	0.75	DN25	40
GB 650/0.6	650	0.6	96	1.1	DN25	40
GB 850/0.5	850	0.5	144	1.1	DN25	40
GB 1000/0.4	1000	0.4	144	1.1	DN25	40
GB 1400/0.3	1400	0.3	144	1.5	DN40	50
GB 1800/0.3	1800	0.3	144	1.5	DN40	50

GB-S

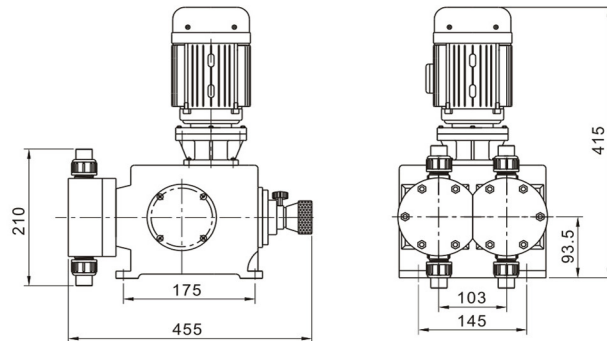
Diaphragm Metering Pump



Model	Flow (L/H)	Pressure (Mpa)	Stroke (min ⁻¹)	Power (kw)	Inlet/Outlet Caliber (DN)	Weight (kg)
GB-S 1300/0.5	1300	0.5	96	1.5	DN25	70
GB-S 1700/0.5	1700	0.5	96	1.5	DN25	70
GB-S 2000/0.4	2000	0.4	144	1.5	DN25	70
GB-S 2800/0.3	2800	0.3	144	1.5	DN40	75
GB-S 3600/0.3	3600	0.3	144	1.5	DN40	75

2JMX

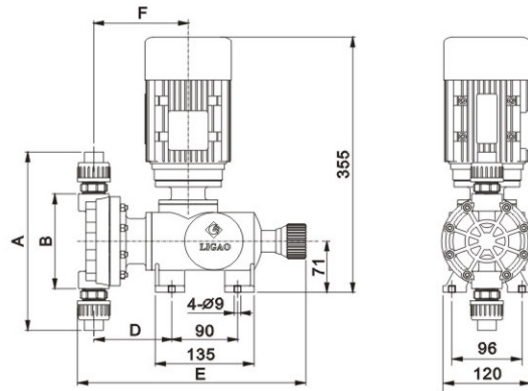
Diaphragm Metering Pump



Model	Flow (L/H)	Pressure (Mpa)	Stroke (min ⁻¹)	Power (kw)	Inlet/Outlet Caliber (DN)	Weight (kg)
2JMX 40/0.8	40	0.8	48	0.37	∅8 hose with filter bottom valve and injection valve	30
2JMX 80/0.6	80	0.6	48	0.37		30
2JMX 120/0.5	120	0.5	48	0.37	DN15	30
2JMX 160/0.5	160	0.5	96	0.37	DN15	30
2JMX 200/0.4	200	0.4	96	0.37	DN15	30
2JMX 240/0.4	240	0.4	96	0.37	DN15	30

KD

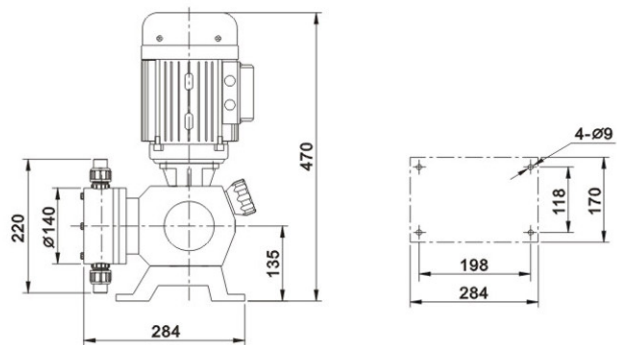
Diaphragm Metering Pump



Model	Flow (L/H)	Pressure (Mpa)	Stroke (min ⁻¹)	Power (Kw)	Inlet/Outline Caliber (DN)	Weight (kg)
KD 20/0.8	20	0.8	48	0.18	Φ8软管含过滤底阀及注射阀	8
KD 40/0.6	40	0.6	96	0.18	Φ8软管含过滤底阀及注射阀	8
KD 60/0.6	60	0.6	48	0.18	DN15	8
KD 80/0.5	80	0.5	96	0.18	DN15	8
KD 120/0.5	120	0.5	96	0.18	DN15	8

JMX

Diaphragm Metering Pump

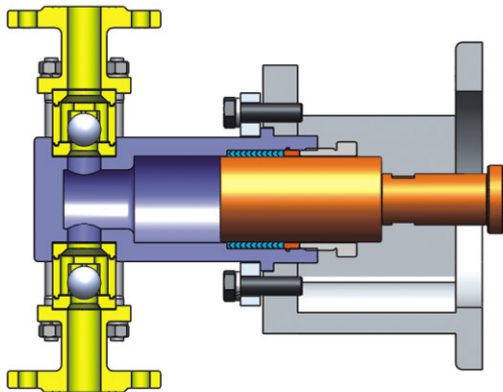


Model	Flow (L/H)	Pressure (Mpa)	Stroke (min ⁻¹)	Power (Kw)	Inlet/Outline Caliber (DN)	Weight (kg)
JMX 80/0.6	80	0.6	48	0.37	DN15	18
JMX 120/0.5	120	0.5	72	0.37	DN15	18
JMX 160/0.5	160	0.5	96	0.37	DN15	18
JMX 240/0.4	240	0.4	144	0.55	DN15	18
JMX 360/0.4	360	0.4	96	0.55	DN25	25
JMX 450/0.4	450	0.4	144	0.55	DN25	25
JMX 560/0.3	560	0.3	144	0.55	DN25	25

LIGAO

METERING PUMP

HTTP://WWW.LIGAOPUMPS.COM
ZHEJIANG LIGAO PUMP TECHNOLOGY CO.,LTD.



Definition

A plunger metering pump is a kind of pump that the volume is periodically changed by the sliding of the cylindrical plunger.

Features

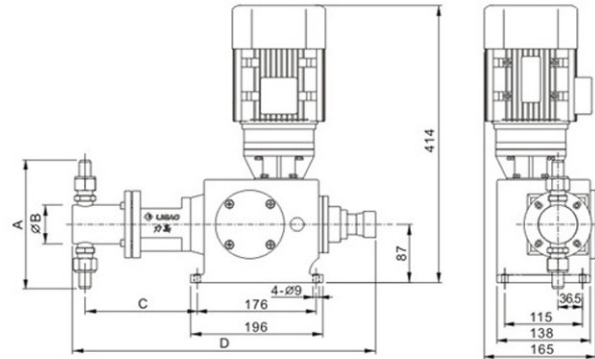
- It can be made as the high-pressure pump, the max pressure can be made up to 50MPa.
- Simple structure, easy maintenance, also with competitive price.
- The diameter of the piston can be very small, normally between 6-200 mm.
- Using insulated, heated or cooled cylinder of pump to control the temperature of medium.

Purpose

Widely used in petroleum, chemical industry, electric power, metallurgy, mining, shipbuilding, light industry, agriculture, national defense department and etc.



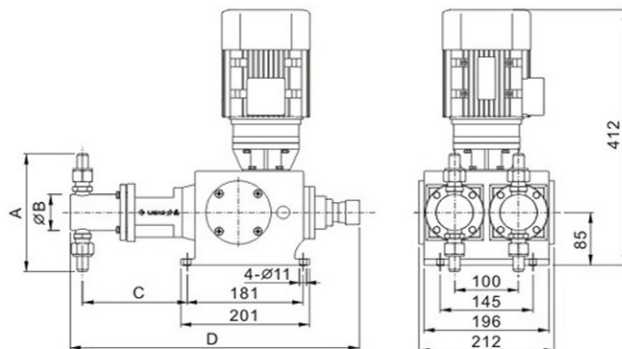
Plunger Metering Pump



Model	Flow (L/H)	Pressure (Mpa)	Plunger (mm)	Stroke (mm)	Frequency (min ⁻¹)	Power (kw)	Inlet/Outlet Caliber (DN)	Weight (kg)
J-X□/50	1.2	50	6	20	48	0.55	6	25
J-X□/45	2.5	45				0.55		
J-X□/38	2.5	38				0.37		
J-X□/32	4.2	32	0.55					
J-X□/21	4.2	21	0.37					
J-X□/20	8	20	0.55					
J-X□/13	8	13	10		0.37			
J-X□/14	12	14	12		0.55			
J-X□/9.0	12	9.0	12		0.37			
J-X□/7.6	20	7.6	16		0.55			
J-X□/5.4	20	5.4	16		0.37			
J-X□/5.0	32	5.0	20		0.55			
J-X□/3.5	32	3.5	20	96	0.37	10	28	
J-X□/3.2	50	3.2	25	0.55				
J-X□/2.2	50	2.2	25	0.37				
J-X□/2.5	65	2.5	28	0.55				
J-X□/1.7	65	1.7	28	0.37				
J-X□/2.0	80	2.0	32	0.55				
J-X□/1.3	80	1.3	32	0.37				
J-X□/1.6	100	1.6	35	0.55	15	30		
J-X□/1.0	100	1.0	35	0.37				
J-X□/1.3	125	1.3	38	0.55				
J-X□/0.8	125	0.8	38	0.37				
J-X□/1.0	150	1.0	42	0.55				
J-X□/0.6	150	0.6	42	0.37				

2J-X

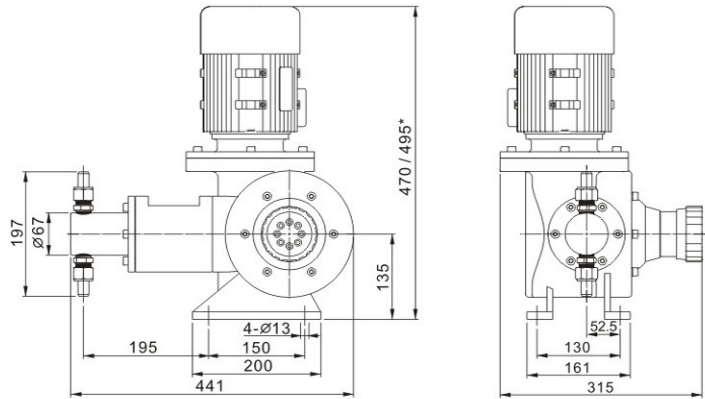
Plunger Metering Pump



Model	Flow (L/H)	Pressure (Mpa)	Plunger (mm)	Stroke (mm)	Frequency (min ⁻¹)	Power (kw)	Inlet/Outlet Caliber (DN)	Weight (kg)
2J-X□/50	5	50	6	20	96	0.55	6	35
2J-X□/38	5	38	6			0.37		
2J-X□/32	8	32	8			0.55		
2J-X□/21	8	21	8			0.37		
2J-X□/20	16	20	10			0.55		
2J-X□/13	16	13	10			0.37		
2J-X□/14	25	14	12			0.55		
2J-X□/9.0	25	9.0	12			0.37		
2J-X□/7.6	40	7.6	16			0.55		
2J-X□/5.4	40	5.4	16			0.37		
2J-X□/5.0	60	5.0	20			0.55		
2J-X□/3.5	60	3.5	20			0.37		
2J-X□/3.2	100	3.2	25			0.55		
2J-X□/2.2	100	2.2	25			0.37		
2J-X□/2.5	130	2.5	28			0.55		
2J-X□/1.7	130	1.7	28			0.37		
2J-X□/2.0	160	2.0	32			0.55		
2J-X□/1.3	160	1.3	32			0.37		
2J-X□/1.6	200	1.6	35			0.55		
2J-X□/1.0	200	1.0	35			0.37		
2J-X□/1.3	250	1.3	38	0.55				
2J-X□/0.8	250	0.8	38	0.37				
2J-X□/1.0	300	1.0	42	0.55				
2J-X□/0.6	300	0.6	42	0.37				



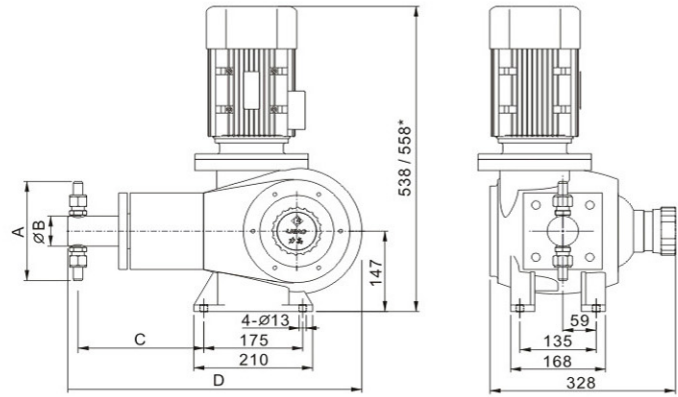
Plunger Metering Pump



Model	Flow (L/H)	Pressure (Mpa)	Plunger (mm)	Stroke (mm)	Frequency (min ⁻¹)	Power (kw)	Inlet/Outlet Caliber (DN)	Weight (kg)
J-Z□/40	6	40	8	25	96	0.75	6	42
J-Z□/32	6	32	8			0.55		
J-Z□/25	10	25	10			0.75		
J-Z□/20	10	20	10			0.55		
J-Z□/20	15	20	12			0.75		
J-Z□/15	15	15	12			0.55		
J-Z□/10	25	10	16			0.75		
J-Z□/8.0	25	8.0	16			0.55		
J-Z□/6.3	40	6.3	20			0.75		
J-Z□/5.4	40	5.4	20			0.55		
J-Z□/4.5	65	4.5	25			0.75		
J-Z□/3.5	65	3.5	25			0.55		
J-Z□/3.6	80	3.6	28			0.75		
J-Z□/2.8	80	2.8	28			0.55		
J-Z□/2.8	110	2.8	32			0.75		
J-Z□/2.0	110	2	32			0.55		
J-Z□/2.3	130	2.3	35			0.75		
J-Z□/1.7	130	1.7	35			0.55		
J-Z□/2.0	160	2	38			0.75		
J-Z□/1.5	160	1.5	38			0.55		
J-Z□/1.6	190	1.6	42	0.75				
J-Z□/1.2	190	1.2	42	0.55				
J-Z□/1.1	270	1.1	50	0.75				
J-Z□/0.8	270	0.8	50	0.55				
J-Z□/0.9	330	0.9	55	0.75				
J-Z□/0.6	330	0.6	55	0.55				
J-Z□/0.8	400	0.8	60	0.75				
J-Z□/0.5	400	0.5	60	0.55				
J-Z□/0.6	470	0.6	65	0.75				
J-Z□/0.4	470	0.4	65	0.55				



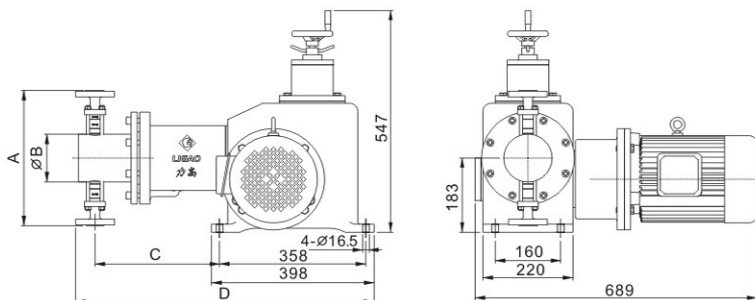
Plunger Metering Pump



Model	Flow (L/H)	Pressure (Mpa)	Plunger (mm)	Stroke (mm)	Frequency (min ⁻¹)	Power (kw)	Inlet/Outlet Caliber (DN)	Weight (kg)
J-ZR□/50	6.5	50	8	30	96	1.5	6	80
J-ZR□/40	6.5	40	8			1.1		
J-ZR□/40	16	40	12			1.5		
J-ZR□/30	16	30	12			1.1		
J-ZR□/22	32	22	16			1.5		
J-ZR□/16	32	16	16			1.1		
J-ZR□/14	50	14	20			1.5		
J-ZR□/10	50	10	20			1.1		
J-ZR□/9.0	80	9.0	25			1.5		
J-ZR□/6.3	80	6.3	25			1.1		
J-ZR□/7.5	100	7.5	28			1.5		
J-ZR□/5.0	100	5.0	28			1.1		
J-ZR□/5.6	130	5.6	32			1.5		
J-ZR□/4.0	130	4.0	32			1.1		
J-ZR□/4.8	160	4.8	35			1.5		
J-ZR□/3.5	160	3.5	35			1.1		
J-ZR□/4.0	190	4.0	38	1.5				
J-ZR□/2.8	190	2.8	38	1.1				
J-ZR□/3.2	225	3.2	42	1.5				
J-ZR□/2.4	225	2.4	42	1.1				
J-ZR□/2.3	330	2.3	50	1.5				
J-ZR□/1.6	330	1.6	50	1.1				
J-ZR□/1.8	400	1.8	55	1.5				
J-ZR□/1.4	400	1.4	55	1.1				
J-ZR□/1.6	480	1.6	60	1.5				
J-ZR□/1.2	480	1.2	60	1.1				
J-ZR□/1.3	550	1.3	65	1.5				
J-ZR□/1.0	550	1.0	65	1.1				
J-ZR□/1.2	650	1.2	70	1.5				
J-ZR□/0.8	650	0.8	70	1.1				
J-ZR□/1.0	750	1.0	75	1.5				
J-ZR□/0.6	750	0.6	75	1.1				
J-ZR□/0.5	1000	0.5	75	30	144	1.5	25	98



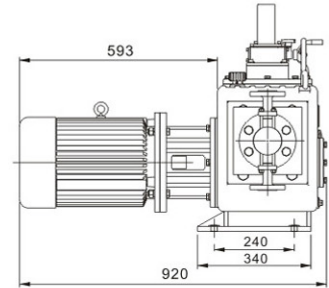
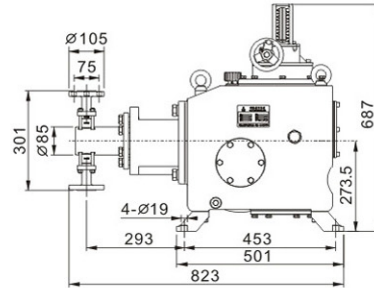
Plunger Metering Pump



Model	Flow (L/H)			Pressure (Mpa)	Plunger (mm)	Stroke (mm)	Frequency (min ⁻¹)	Power (kw)	Inlet/Outlet Caliber (DN)	Weight (kg)		
	J-D	2-JD	3-JD							JDR	2-JDR	3-JDR
J-D□/50	23	46	69	50	12	40	100	4	10	145	255	340
J-D□/40	23	46	69	40								
J-D□/40	40	80	120	40								
J-D□/30	40	80	120	30								
J-D□/28	63	126	189	28								
J-D□/20	63	126	189	20								
J-D□/18	105	210	315	18								
J-D□/13	105	210	315	13								
J-D□/11	175	350	525	11								
J-D□/8.0	175	350	525	8								
J-D□/6.3	300	600	900	6.3								
J-D□/4.8	300	600	900	4.8								
J-D□/4.5	450	900	1350	4.5								
J-D□/3.5	450	900	1350	3.5								
J-D□/3.8	540	1080	1620	3.8								
J-D□/2.8	540	1080	1620	2.8								
J-D□/3.2	650	1300	1995	3.2								
J-D□/2.4	650	1300	1995	2.4								
J-D□/2.6	760	1520	2280	2.6								
J-D□/2.0	760	1520	2280	2								
J-D□/2.3	900	1800	2700	2.3								
J-D□/1.6	900	1800	2700	1.6								
J-D□/2.0	1050	2100	3150	2.0								
J-D□/1.4	1050	2100	3150	1.4								
J-D□/1.8	1200	2400	3600	1.8								
J-D□/1.2	1200	2400	3600	1.2								
J-D□/1.6	1350	2700	4050	1.6								
J-D□/1.1	1350	2700	4050	1.1								
J-D□/1.4	1500	3000	4500	1.4								
J-D□/1.0	1500	3000	4500	1.0								
J-D□/1.2	1680	3360	5040	1.2								
J-D□/0.8	1680	3360	5040	0.8								
J-D□/1.0	1850	3700	5550	1								
J-D□/0.8	2050	4100	6150	0.8								
J-D□/0.6	2250	4500	6750	0.6								
J-D□/1.0	2500	5000	7500	1.0								
J-D□/0.6	3000	6000	9000	0.6								



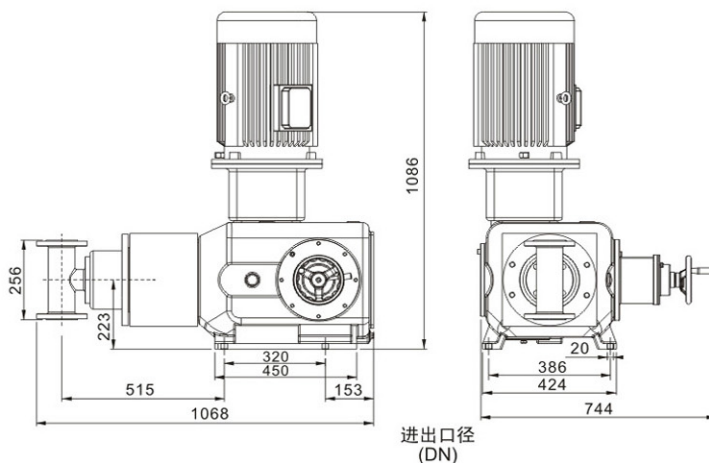
Plunger Metering Pump



Model	Flow (L/H)			Pressure (Mpa)	Plunger (mm)	Stroke (mm)	Frequency (min ⁻¹)	Power (kw)	Inlet/Outlet Caliber (DN)	Weight (kg)		
	JDR	2-JDR	3-JDR							JDR	2-JDR	3-JDR
JDR□/50	92	184	276	50	20	60	96	7.5	15	330	635	920
JDR□/28	92	184	276	28								
JDR□/32	145	290	435	32								
JDR□/18	145	290	435	18								
JDR□/25	190	380	570	25								
JDR□/14	190	380	570	14								
JDR□/20	240	480	720	20								
JDR□/11	240	480	720	11								
JDR□/11	430	860	1290	11								
JDR□/6.3	430	860	1290	6.3								
JDR□/8.0	650	1300	1950	8.0								
JDR□/4.5	650	1300	1950	4.5								
JDR□/6.5	780	1560	2340	6.5								
JDR□/3.6	780	1560	2340	3.6								
JDR□/5.5	930	1860	2790	5.5								
JDR□/3.1	930	1860	2790	3.1								
JDR□/4.6	1100	2200	3600	4.6								
JDR□/2.6	1100	2200	3600	2.6								
JDR□/4.0	1300	2600	3900	4								
JDR□/2.3	1300	2600	3900	2.3								
JDR□/3.5	1480	2960	4440	3.5								
JDR□/2.0	1480	2960	4440	2.0								
JDR□/3.0	1700	3400	5100	3.0								
JDR□/1.8	1700	3400	5100	1.8								
JDR□/2.8	1920	3840	5760	2.8								
JDR□/1.6	1920	3840	5760	1.6								
JDR□/2.4	2150	4300	6450	2.4								
JDR□/1.4	2150	4300	6450	1.4								
JDR□/2.2	2400	4800	7200	2.2								
JDR□/1.2	2400	4800	7200	1.2								
JDR□/1.8	2680	5360	8040	1.8								
JDR□/1.0	2680	5360	8040	1.0								
JDR□/1.5	3250	6500	9750	1.5								
JDR□/0.9	3250	6500	9750	0.9								
JDR□/1.3	3860	7720	11580	1.3								
JDR□/0.7	3860	7720	11580	0.7								
JDR□/1.1	4550	9100	13650	1.1								
JDR□/0.6	4550	9100	13650	0.6								
JDR□/1.0	5260	10520	15780	1.0								
JDR□/0.5	5260	10520	15780	0.5								
JDR□/0.8	6050	12100	18150	0.8								
JDR□/0.4	6050	12100	18150	0.4								



Plunger Metering Pump

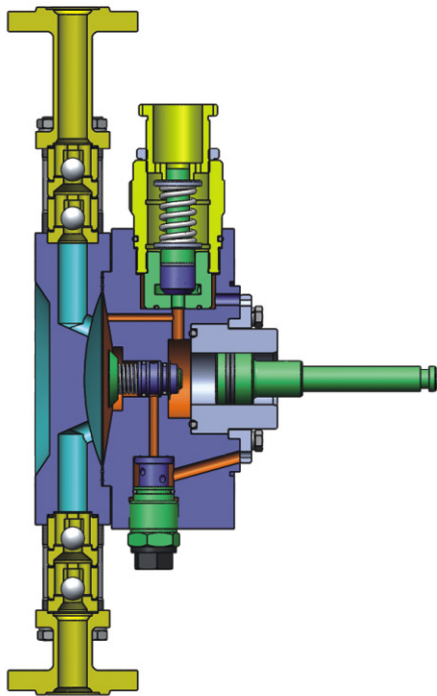


Model	Flow (L/H)	Pressure (Mpa)	Plunger Diameter (mm)	Stroke (mm)	Frequency (min ⁻¹)	Power (kW)	Inlet / Outlet Caliber (DN)	Weight (kg)
J-T180/50	186	50	25	80	93	11	15	520
J-T220/40	229	40	28					
J-T300/30	304	30	32				20	
J-T450/22	455	22	38					
J-T550/18	556	18	42				25	
J-T780/12	788	12	50					
J-T1000/10	1000	10	55				32	
J-T1200/8.5	1200	8.5	60					
J-T1400/7.5	1420	7.5	65				40	
J-T1650/6.5	1665	6.5	70					
J-T1900/5.5	1910	5.5	75				50	
J-T2200/4.8	2200	4.8	80					
J-T2480/4.3	2485	4.3	85				65	
J-T2800/3.8	2800	3.8	90					
J-T3100/3.5	3130	3.5	95				80	
J-T3460/3.1	3468	3.1	100					
J-T4200/2.6	4200	2.6	110				65	
J-T5000/2.2	5000	2.2	120					
J-T5800/1.8	5890	1.8	130				80	
J-T6800/1.6	6830	1.6	140					
J-T7800/1.4	7840	1.4	150	65				
J-T8900/1.2	8920	1.2	160					
J-T10000/1.1	10050	1.1	170	65				
J-T11300/0.9	11330	0.9	180					
J-T12600/0.8	12600	0.8	190	80				
J-T14000/0.6	14000	0.6	200					

LIGAO

HYDRAULIC DIAPHRAGM METERING PUMP

HTTP://WWW.LIGAOPUMPS.COM
ZHEJIANG LIGAO PUMP TECHNOLOGY CO.,LTD.



Definition

A hydraulic diaphragm metering pump is a kind of pump that the volume is periodically changed by the diaphragm cyclic deformation caused by the hydraulic liquid.

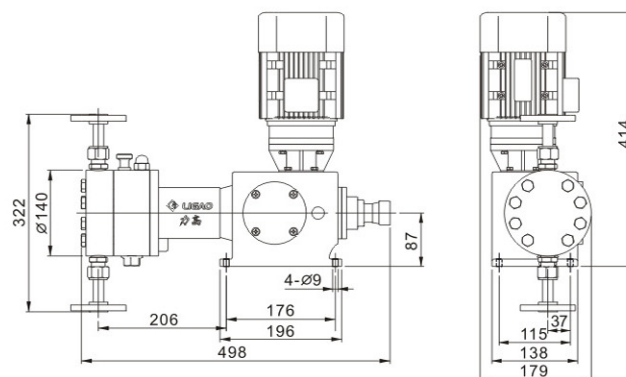
Features

- No leakage, maintained conveniently, low noise, durable in use.
- Measuring precision is better than mechanical diaphragm pump; sealing property is better than piston pump.
- The pressure can be made up to 30MPa, the metering accuracy can be up to $\pm 1\%$.
- The diaphragm is made from multilayer complex structure to promote the life span, the first layer is Teflon anti-acid diaphragm, the second is EPDM stretch rubber, the third is 3.00 mm thick SUS304 that support the iron corn. The fourth is also the EPDM stretch rubber to cover all of the body.
- Double diaphragms could be used with the diaphragm rupture alarm when transmitting special medium, in case accidents occurred by the mixing of medium and hydraulic liquid.

Purpose

Especially used for transmitting those mediums which are strong corrosive, volatile, flammable, explosive, toxic, moderately viscous, or radioactive.

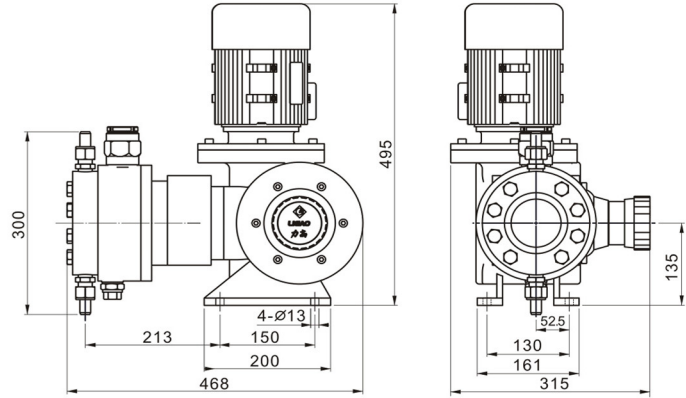
JYX Hydraulic Diaphragm Metering Pump



Model	Flow (L/H)	Pressure (Mpa)	Plunger (mm)	Stroke (mm)	Frequency (min ⁻¹)	Power (kw)	Inlet/Outlet Caliber (DN)	Weight (kg)		
JYX□/20	7	20	10	25	96/144	0.55	6	37		
JYX□/13	7	13				0.37				
JYX□/14	11	14	0.55							
JYX□/9.0	11	9	0.37							
JYX□/14	16	14	0.55							
JYX□/9.0	16	9	0.37							
JYX□/7.6	20	7.6	16			0.55	10	40		
JYX□/5.4	20	5.4				0.37				
JYX□/7.6	30	7.6				0.55				
JYX□/5.4	30	5.4	0.37							
JYX□/3.2	50	3.2	25			0.55			15	42
JYX□/2.2	50	2.2				0.37				
JYX□/3.2	75	3.2		0.55						
JYX□/2.2	75	2.2	0.37							
JYX□/2.0	100	2.5	28	0.55	15	42				
JYX□/1.3	100	1.7		0.37						
JYX□/2.0	120	2.0	32	0.55			15	42		
JYX□/1.3	120	1.3		0.37						
JYX□/1.6	150	1.6	35	0.55					15	42
JYX□/1.1	150	1.1		0.37						

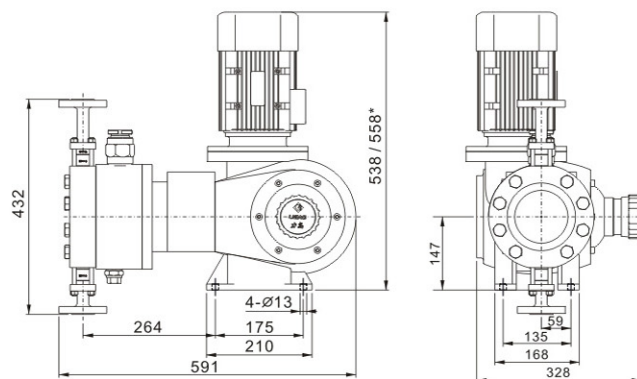


Hydraulic Diaphragm Metering Pump



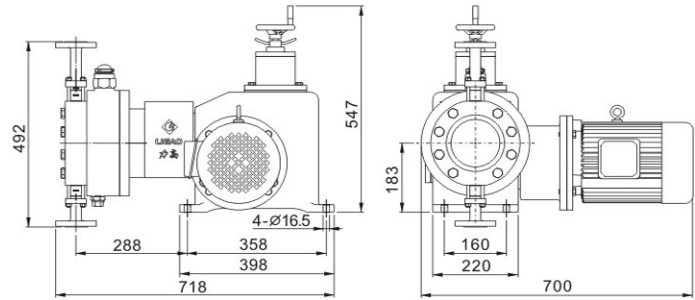
Model	Flow (L/H)	Pressure (Mpa)	Plunger Stroke (mm)	Stroke (mm)	Frequency (min ⁻¹)	Power (kw)	Inlet/Outlet Caliber (DN)	Weight (kg)
JYZ□/20	10	20	12	25	96/144	0.75	6	74
JYZ□/15	10	15				0.55		
JYZ□/20	15	20	0.75					
JYZ□/15	15	15	0.55					
JYZ□/10	22	10	0.75					
JYZ□/8.0	22	8.0	0.55					
JYZ□/10	35	10	0.75			10	82	
JYZ□/8.0	35	8.0	0.55					
JYZ□/7.2	40	7.2	0.75					
JYZ□/5.4	40	5.4	0.55					
JYZ□/6.0	70	6.0	0.75					
JYZ□/4.5	70	4.5	0.55					
JYZ□/4.5	90	4.5	25	15	90			
JYZ□/3.5	90	3.5	0.75					
JYZ□/3.2	135	3.2	0.55					
JYZ□/2.4	135	2.4	0.75					
JYZ□/2.8	100	2.8	0.55					
JYZ□/2.0	100	2.0	0.75					
JYZ□/2.8	150	2.8	36	15	90			
JYZ□/2.0	150	2.0				0.55		
JYZ□/2.2	200	2.2				0.75		
JYZ□/1.6	200	1.6				0.55		
JYZ□/1.8	240	1.8				0.75		
JYZ□/1.3	240	1.3				0.55		
JYZ□/1.4	300	1.4	45	15	90			
JYZ□/1.0	300	1.0				0.75		
JYZ□/1.1	400	1.1				0.55		
JYZ□/0.8	400	0.8	50			0.75		

JYZR Hydraulic Diaphragm Metering Pump



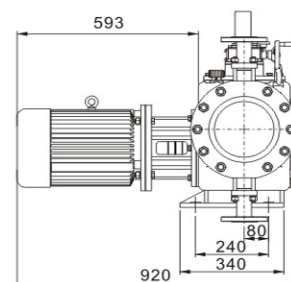
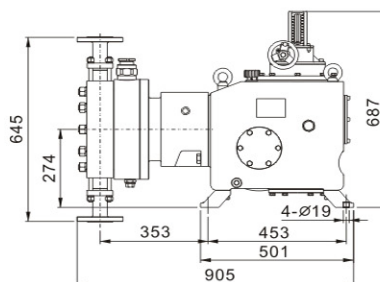
Model	Flow Rate (L/min)	Stroke (mm)	Pressure (bar)	Motor Power (kW)	Motor Voltage (V)	Motor Speed (rpm)	Stroke Volume (L)	Stroke Volume (L)		
JYZR□/22	28	22	16	30	96/144	1.5	10	140		
JYZR□/16	28	16	16			1.1				
JYZR□/14	45	14	20			1.5				
JYZR□/10	45	10	20			1.1				
JYZR□/12	58	12	22			1.5				
JYZR□/0.8	58	0.8	22			1.1				
JYZR□/9.0	75	9.0	25			1.5				
JYZR□/6.3	75	6.3	25			1.1				
JYZR□/6.5	125	6.5	32			1.5				
JYZR□/4.5	125	4.5	32			1.1				
JYZR□/4.5	160	4.5	36			1.5	15	155		
JYZR□/3.2	160	3.2	36			1.1				
JYZR□/3.6	200	3.6	40			1.5				
JYZR□/2.6	200	2.6	40			1.1				
JYZR□/2.8	250	2.8	45			1.5				
JYZR□/2.0	250	2.0	45			1.1				
JYZR□/2.3	320	2.3	50			1.5				
JYZR□/1.6	320	1.6	50			1.1				
JYZR□/1.8	380	1.8	55			1.5			20	162
JYZR□/1.4	380	1.4	55			1.1				
JYZR□/1.6	460	1.6	60	1.5						
JYZR□/1.2	460	1.2	60	1.1						
JYZR□/1.4	700	1.4	60	1.5						
JYZR□/1.0	700	1.0	60	1.1						

JYD Hydraulic Diaphragm Metering Pump



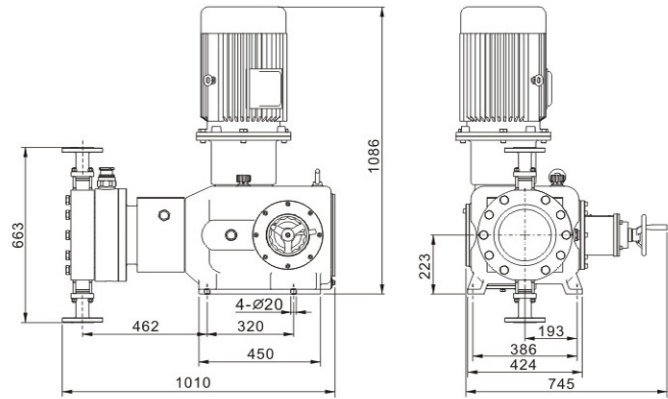
Model	Flow (L/H)	Pressure (Mpa)	Plunger (mm)	Stroke (mm)	Frequency (min ⁻¹)	Power (kw)	Inlet/Outlet Caliber (DN)	Weight (kg)
JYD□/40	40	40	16	40	100 / 150	4	10	200
JYD□/30	40	30	16			3		
JYD□/28	65	28	20			4		
JYD□/20	65	20	20			3		
JYD□/28	100	28	20			3	15	210
JYD□/20	100	20	20			3		
JYD□/18	160	18	25			3		
JYD□/13	160	13	25			3		
JYD□/11	265	11	32			3	20	220
JYD□/8.0	265	8.0	32			3		
JYD□/8.5	340	8.5	36			3		
JYD□/6.5	340	6.5	36			3		
JYD□/6.8	420	6.8	40			3	25	240
JYD□/5.4	420	5.4	40			3		
JYD□/5.6	540	5.6	45			3		
JYD□/4.2	540	4.2	45			4		
JYD□/4.5	670	4.5	50			3	32	256
JYD□/3.5	670	3.5	50			3		
JYD□/3.8	820	3.8	55			4		
JYD□/2.8	820	2.8	55			3		
JYD□/3.2	985	3.2	60	4	25	240		
JYD□/2.4	985	2.4	60	3				
JYD□/2.6	1160	2.6	65	4				
JYD□/2.0	1160	2.0	65	3				
JYD□/2.3	1350	2.3	70	4	32	256		
JYD□/1.6	1350	1.6	70	3				
JYD□/2.0	1550	2.0	75	4				
JYD□/1.4	1550	1.4	75	3				
JYD□/1.8	1800	1.8	80	4	32	256		
JYD□/1.2	1800	1.2	80	3				

JYDR Hydraulic Diaphragm Metering Pump



Model	Flow (L/H)	Pressure (Mpa)	Plunger (mm)	Stroke (mm)	Frequency (min ⁻¹)	Power (kw)	Inlet/Outlet Caliber (DN)	Weight (kg)
JYDR□/50	90	50	20	60	96/144	7.5	15	350
JYDR□/28	90	28				5.5		
JYDR□/32	150	32				7.5		
JYDR□/18	150	18	5.5					
JYDR□/20	250	20	7.5					
JYDR□/11	250	11	5.5					
JYDR□/15	320	15	7.5			20	370	
JYDR□/8.5	320	8.5	5.5					
JYDR□/12	400	12	7.5					
JYDR□/6.5	400	6.5	5.5					
JYDR□/10	500	10	7.5					
JYDR□/5.2	500	5.2	5.5					
JYDR□/8.0	650	8.0	7.5			25	395	
JYDR□/4.5	650	4.5	5.5					
JYDR□/6.5	790	6.5	7.5					
JYDR□/3.6	790	3.6	5.5					
JYDR□/5.5	940	5.5	7.5					
JYDR□/3.1	940	3.1	5.5					
JYDR□/4.6	1100	4.6	65			32	420	
JYDR□/2.6	1100	2.6	5.5					
JYDR□/4.0	1300	4	7.5					
JYDR□/2.3	1300	2.3	5.5					
JYDR□/3.5	1500	3.5	7.5					
JYDR□/2.0	1500	2.0	5.5					
JYDR□/3.0	1700	3.0	80			40	450	
JYDR□/1.6	1700	1.6	5.5					
JYDR□/2.8	1920	2.8	7.5					
JYDR□/1.5	1920	1.5	5.5					
JYDR□/2.4	2150	2.4	7.5					
JYDR□/1.3	2150	1.3	5.5					
JYDR□/2.2	2400	2.2	7.5	40	450			
JYDR□/1.2	2400	1.2	5.5					
JYDR□/2.0	2650	2.0	7.5					
JYDR□/1.1	2650	1.1	5.5					
JYDR□/1.6	3200	1.6	7.5					
JYDR□/1.0	4000	1.0	7.5					
JYDR□/0.9	4900	0.9	110	7.5				

JYT Hydraulic Diaphragm Metering Pump



Model	Flow (L/H)	Pressure (Mpa)	Plunger (mm)	Stroke (mm)	Frequency (min ⁻¹)	Power (kw)	Inlet/Outlet Caliber (DN)	Weight (kg)
JYT180/50	180	50	25	80	93	11	15	556kg explosion-proof Motor
JYT260/35	260	35	30					
JYT300/30	300	30	32					
JYT390/24	390	24	36					
JYT480/20	480	20	40					
JYT600/15	600	15	45					
JYT780/12	780	12	50					
JYT950/12	950	10	55					
JYT1100/8.5	1100	8.5	60					
JYT1250/8.0	1250	8	63					
JYT1300/7.5	1300	7.5	65					
JYT1500/6.3	1500	6.3	70					
JYT1800/5.5	1800	5.5	75					
JYT2000/4.8	2000	4.8	80					
JYT2300/4.3	2300	4.3	85					
JYT2650/3.8	2650	3.8	90					
JYT3000/3.5	3000	3.5	95					
JYT3300/3.1	3300	3.1	100					
JYT4000/2.6	4000	2.6	110					
JYT74900/2.2	4900	2.2	120					
JYT5700/1.8	5700	1.8	130					
JYT6600/1.6	6600	1.6	140					
JYT7700/1.4	7700	1.4	150					
JYT8800/1.2	8800	1.2	160					
JYT10000/1.0	10000	1.0	170					

Application



Application



Note: We can supply you all kinds of the medicine-adding-device, and offer you our best design by contacting our technology department

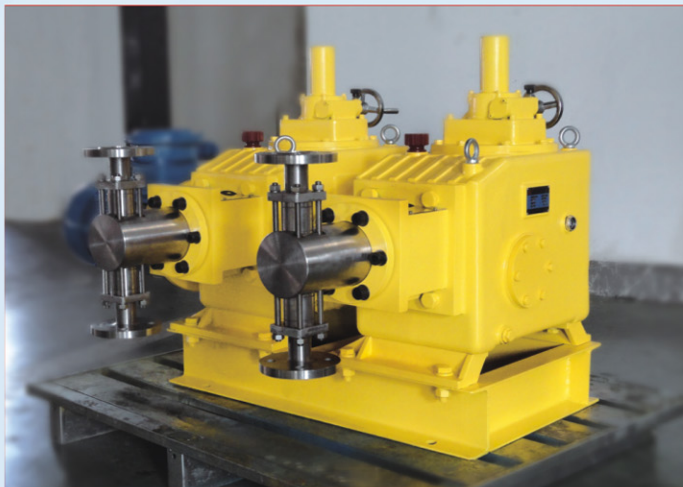
Application



Application



Application



DRAWING OF THE MATERIAL ADDING

