



LMI
MILTON ROY

ROYTRONIC™

SERIES P

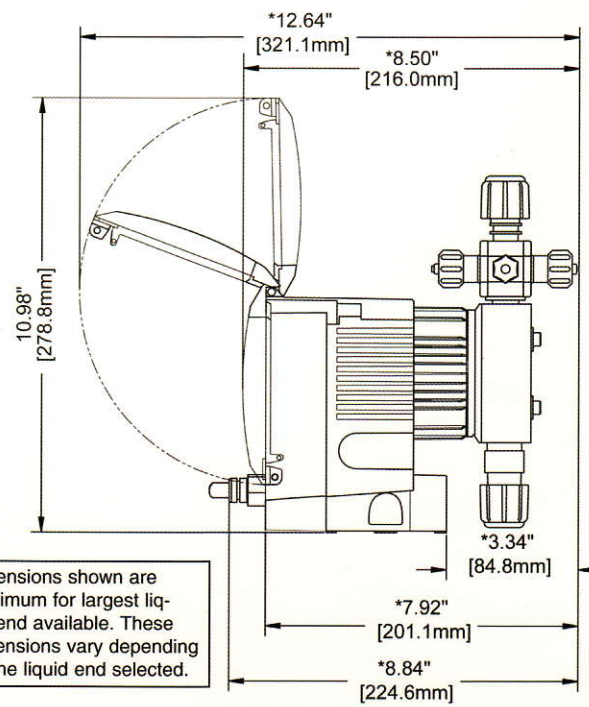
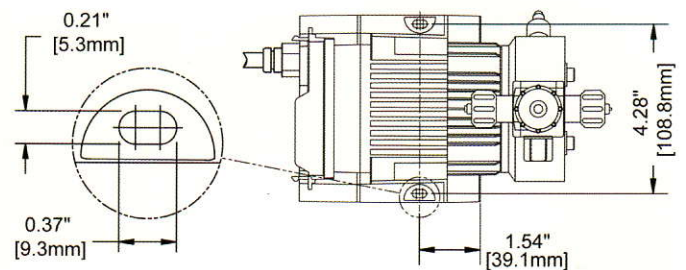
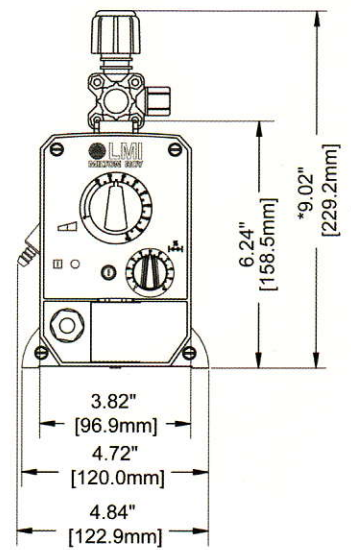
- New robust design with enhanced LMI quality and added customer value
- New standard FastPrime™ Head and new optional AutoPrime™ Head
- Additional material combinations and increased stroking speeds allow for greater pump flexibility and application versatility



Model P+ 7 5 1 - 8 2 8 S I

Model Code Configuration

Drive	Control Code
	0 - Single Manual Control: Speed (stroking frequency) fixed and stroke length manually adjustable
	1 - Dual Manual Control: Speed (stroking frequency) and stroke length manually adjustable
	3 - Pulse Input / Single Manual Control: External control capability through pulse input and low level float switch plus manual control adjustments of control code 0
	7 - Pulse Input / Dual Manual Control: External control capability through pulse input and low level float switch plus manual control adjustments of control code 1
8 - Analog Input / Dual Manual Control: External control capability through 4-20 mA input and low level float switch plus manual control adjustments of control code 1	
Output Codes	
See Next Page for Output Options	
Voltage Code	
1 - 110-120V US Plug 2 - 220-240V US Plug 3 - 220-240V DIN Plug 4 - 220-240V Israel Plug 5 - 220-240V UK Plug 6 - 220-240V Aust/NZ Plug 7 - 220-240V Swiss Plug 8 - 110-120V No Plug 9 - 220-240V Indian Plug	
Liquid End Code	
See Next Page for Options	
Liquifram™ Size Code	
1 - 0.2 in ² 2 - 0.4 in ² 3 - 0.8 in ² 4 - 1.6 in ²	
Material Code	
See Next Page for Material Options	
Head/Valve Code	
S - FastPrime™ Head + 4FV N - FastPrime™ Head H - AutoPrime™ Head + 4FV A - AutoPrime™ Head	
Connection Code	
I - Inch Tubing M - Metric Tubing P - 1/2" NPT - 1/2" BSP Pipe U - Black, UV Resistant Tubing	
Liquid End	



* Dimensions shown are maximum for largest liquid end available. These dimensions vary depending on the liquid end selected.

Liquifram Size 1 1/4" O.D. Tubing		PX1	FastPrime™	0.003 to 0.25 GPH (0.01 to 0.9 l/h), 120 SPM	250 psi (17.2 Bar)				
			AutoPrime™	0.001 to 0.13 GPH (0.005 to 0.5 l/h), 120 SPM	110 psi (7.6 Bar)				
		PX4	FastPrime™	0.005 to 0.5 GPH (0.02 to 1.9 l/h), 240 SPM	250 psi (17.2 Bar)				
			AutoPrime™	0.003 to 0.25 GPH (0.01 to 0.9 l/h), 240 SPM	110 psi (7.6 Bar)				
Drive Assembly	Liquid End Type	Liquid End Code	Check Type	Material of Construction				Accs. Valve	
P+81_ P+71_ P+31_ P+11_ P+01_ P+84_ P+74_ P+34_ P+14_ P+04_	AutoPrime™	910HI	Double Ball	Acrylic/PVC	Ceramic	Polyprel	Polyprel	APH + 4FV	
		918HI		PVC/PVC	Ceramic	Polyprel	Polyprel	APH + 4FV	
	FastPrime™	Double Ball	910SI	Acrylic/PVC	Ceramic	Polyprel	Polyprel	FPH + 4FV	
			915SI	PP/PP	Ceramic	PTFE	PTFE	FPH + 4FV	
			919SI	Acrylic/PVDF	PTFE	Polyprel	Polyprel	FPH + 4FV	
			812SI	PVDF/PVDF	Ceramic	Polyprel	Polyprel	FPH + 4FV	
		Double Ball	813SI	PVDF/PVDF	Ceramic	PTFE	PTFE	FPH + 4FV	
			818SI	PVC/PVC	Ceramic	Polyprel	Polyprel	FPH + 4FV	
			Single Ball	718SI	PVC/PVC	Ceramic	Polyprel	Polyprel	FPH + 4FV

Liquifram Size 2 3/8" O.D. Tubing		PX5	FastPrime™	0.01 to 1.0 GPH (0.04 to 3.8 l/h), 240 SPM	110 psi (7.6 Bar)				
			AutoPrime™	0.005 to 0.55 GPH (0.02 to 2.1 l/h), 240 SPM	110 psi (7.6 Bar)				
Drive Assembly	Liquid End Type	Liquid End Code	Check Type	Material of Construction				Accs. Valve	
P+85_ P+75_ P+35_ P+15_ P+05_	AutoPrime™	920HI	Double Ball	Acrylic/PVC	Ceramic	Polyprel	Polyprel	APH + 4FV	
		928HI		PVC/PVC	Ceramic	Polyprel	Polyprel	APH + 4FV	
	FastPrime™	Double Ball	920SI	Acrylic/PVC	Ceramic	Polyprel	Polyprel	FPH + 4FV	
			925SI	PP/PP	Ceramic	PTFE	PTFE	FPH + 4FV	
			929SI	Acrylic/PVDF	PTFE	Polyprel	Polyprel	FPH + 4FV	
			822SI	PVDF/PVDF	Ceramic	Polyprel	Polyprel	FPH + 4FV	
		Double Ball	823SI	PVDF/PVDF	Ceramic	PTFE	PTFE	FPH + 4FV	
			828SI	PVC/PVC	Ceramic	Polyprel	Polyprel	FPH + 4FV	
			Single Ball	728SI	PVC/PVC	Ceramic	Polyprel	Polyprel	FPH + 4FV

Liquifram Size 3 3/8" O.D. Tubing		PX6	FastPrime™	0.02 to 2.0 GPH (0.08 to 7.6 l/h), 240 SPM	50 psi (3.4 Bar)				
			AutoPrime™	0.017 to 1.7 GPH (0.06 to 6.4 l/h), 240 SPM	50 psi (3.4 Bar)				
		PX8	FastPrime™	0.032 to 3.2 GPH (0.12 to 12.1 l/h), 240 SPM	22 psi (1.5 Bar)				
			AutoPrime™	0.027 to 2.7 GPH (0.010 to 10.2 l/h), 240 SPM	22 psi (1.5 Bar)				
Drive Assembly	Liquid End Type	Liquid End Code	Check Type	Material of Construction				Accs. Valve	
P+86_ P+76_ P+36_ P+16_ P+06_ P+88_ P+78_ P+38_ P+18_ P+08_	AutoPrime™	930HI	Double Ball	Acrylic/PVC	Ceramic	Polyprel	Polyprel	APH + 4FV	
		938HI		PVC/PVC	Ceramic	Polyprel	Polyprel	APH + 4FV	
	FastPrime™	Double Ball	930SI	Acrylic/PVC	Ceramic	Polyprel	Polyprel	FPH + 4FV	
			935SI	PP/PP	Ceramic	PTFE	PTFE	FPH + 4FV	
			939SI	Acrylic/PVDF	PTFE	Polyprel	Polyprel	FPH + 4FV	
			832SI	PVDF/PVDF	Ceramic	Polyprel	Polyprel	FPH + 4FV	
		Double Ball	833SI	PVDF/PVDF	Ceramic	PTFE	PTFE	FPH + 4FV	
			838SI	PVC/PVC	Ceramic	Polyprel	Polyprel	FPH + 4FV	
			Single Ball	738SI	PVC/PVC	Ceramic	Polyprel	Polyprel	FPH + 4FV

Liquifram Size 4 1/2" O.D. Tubing		PX9	FastPrime™	0.04 to 4.0 GPH (0.15 to 15.2 l/h), 240 SPM	15 psi (1.0 Bar)					
			AutoPrime™							
Drive Assembly	Liquid End Type	Liquid End Code	Check Type	Material of Construction				Accs. Valve		
P+ 89_ P+ 79_ P+ 39_ P+ 19_ P+ 09_	FastPrime™	940NI	Double Ball	Acrylic/PVC	Ceramic	Polyprel	Polyprel	FPH		
		945NI		PP/PP	Ceramic	PTFE	PTFE	FPH		
		949NI		Acrylic/PVDF	PTFE	Polyprel	Polyprel	FPH		
		842NI		PVDF/PVDF	Ceramic	Polyprel	Polyprel	FPH		
		Double Ball		843NI	PVDF/PVDF	Ceramic	PTFE	PTFE	FPH	
				848NI	PVC/PVC	Ceramic	Polyprel	Polyprel	FPH	
				Single Ball	748NI	PVC/PVC	Ceramic	Polyprel	Polyprel	FPH

- To specify changes in head, accessory valve, and/or connections, please refer to the model code configuration chart.
- APH indicates that the pump is equipped with an LMI AutoPrime™ Head. This head allows for the constant removal of vapors and gases present in applications like sodium hypochlorite and hydrogen peroxide.
- FPH indicates that the pump is equipped with an LMI FastPrime™ Head. This head has an integral manual priming valve to facilitate quick pump start-up.
- 4FV indicates that the pump is equipped with an LMI Four Function Valve. This diaphragm type, anti-syphon/pressure relief valve is installed on the pump head.
- Fluorofilm™ is a copolymer of PTFE and PFA. Polyprel® is an elastomeric PTFE copolymer.
- Polyprel® is a registered trademark of Liquid Metronics Incorporated. Fluorofilm™, Liquifram™, AutoPrime™ and FastPrime™ are trademarks of Liquid Metronics Incorporated.

ROYTRONIC™

SERIES P

- New robust LMI solenoid design
- Increased stroking speed range (1 to 240 spm), combined with standard stroke length range (30 to 100%) allows for more precise chemical dosing
- Single-ball or double-ball check valve options enable improved pumping efficiency
- NEMA 4X / IP65 enclosure
- On/Off push button capability
- Optional, lockable clear cover
- Stroke indicator light flashes when the pump is stroking
- Simplified and more robust tubing connections eliminate metal seal rings and utilize common parts for all sizes and configurations
- New industrial watertight IP-68 electrical connectors for external equipment interface
- Optional low-level float switch connects to new low-level connector (3-Pin) and low-level indicator light that warns when chemical level is low
- External mode option has pulse input control capability through external control connector (5-Pin)
- External mode option has 4-20 mA input control capability through external control connector (5-Pin)
- New remote on/off option through external control connector (5-Pin)



www.lmipumps.com

Milton Roy Asia Pacific Pte Ltd

Singapore Office • 23 Tagore Lane #03-06 • Tagore 23 Warehouse Complex • Singapore 787601

Tel : (65) 6242 9182 • Fax : (65) 6243 4249 • Email: mrapsing@miltonroy.com.sg

Thailand Office • No. 1858/63-74 Nation Tower, 14th Floor, Room A, Bangna-Trad Road, K.M.4.5 • Bangna Subdistrict Bangna District • Bangkok 10260 Thailand

Tel : 662 751 4777 ext 3200 Fax : 662 751 4720, Email: boonrat@miltonroy.co.th

Korea Office • Suite 1417, #642-6 • Sungji Hytz building III, Yeoksam-dong, Kangnam-gu • Seoul, Korea.

Tel : 82 2 557 1110 • Fax : 82 2 557 1115 • Email: shawn.kim@hs.utc.com

Milton Roy Americas • 201 Ivyland Road • Ivyland, PA 18974 • Tel : 215 293 0401 • Fax : 215 293 0445

Milton Roy - Europe • 10 Grande Rue • 27360 Pont-Saint-Pierre, France • Tel : 33 0 2 3268 3000 • Fax : 33 0 2 3268 3093

Milton Roy-HSIS • Building 1, No. 879 Shen Fu Road • XinZhuang Industrial Zone • Shanghai, China 201108 • Tel : 86 21 6121 1600 • Fax : 86 21 5442 5266

Milton Roy India • 4 Rajarajan Street • Visalakshi Nagar • Ekkaduthangal, Chennai 600 097 • India • Tel : 91 44 2225 4000 • Fax : 91 44 2225 4004