



Pressure gauge – DN80/100

Plus Line - Type A09

Date: April 2003

Sheet No.: 1-21GB

Industrial, Maritime Pressure Gauge

- Liquid filled to damp pulsations and give extra long life
- Direct, surface or panel mounting
- Connection: bottom and rear
- Long term stable
- Scale in accordance with international standards

Application

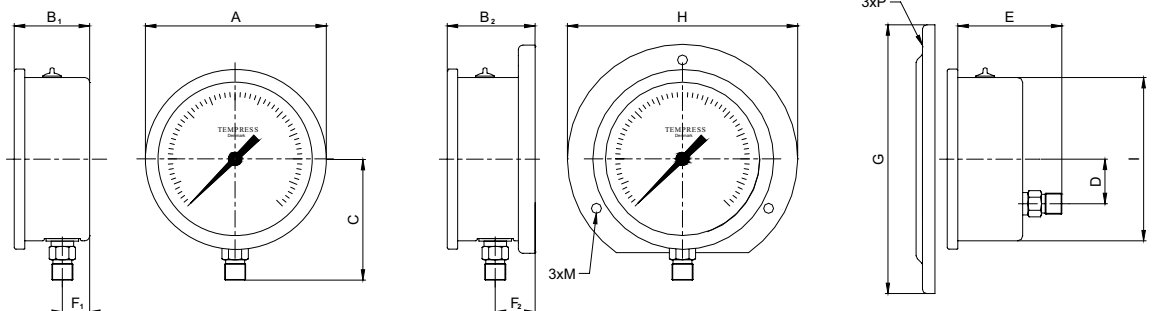
The gauge series is well suited for applications in any industrial or maritime environment where local indication is required.

TEMPRESS Design

From the front, the gauge matches the rest of the TEMPRESS product program. This gauge type offers the flexibility to choose a special scale or customer logo, even for smaller quantities.

Specifications acc. to EN 837-1	
Size	DN80 and DN100
Type	A0902 / A0903
Case, material	AISI304
Front glass	Polycarbonate
Liquid filling	Glycerine
Connection	G1/2 AISI316
Measuring system	AISI316
Measuring range	
DN80:	From – 1 Bar through 600 Bar
DN100:	From – 1 Bar through 1600 Bar
	Min. span: 1 bar
Accuracy	Cl. 1.0 (± 1,0% FS)
Measuring units	Multiscale: BAR/PSI Others on request

Dimensions					
DN80			DN100		
A	Ø	88	A	Ø	108
B1		44	B1		45
B2		50	B2		51
C		70	C		83
D		26	D		33
E		59	E		72
F1		17	F1		16
F2		23	F2		23
G	Ø	108	G	Ø	129
H	Ø	110	H	Ø	132
I	Ø	78	I	Ø	98
M	Ø	4,8	M	Ø	4,8
N	Ø	95	N	Ø	117
P	Ø	4,8	P	Ø	4,8
R	Ø	95	R	Ø	116



Agent/Dealer:



TEMPRESS A/S

Nordlandsvej 64-66
 DK-8240 Risskov, Denmark
 Tel.: +45 8932 5210
 Fax.: +45 8932 5213
 sales@tempress.dk
 www.tempress.dk