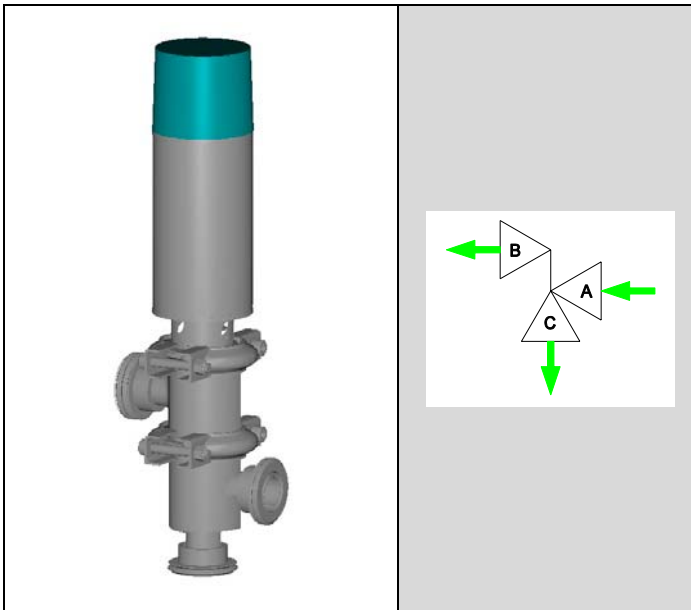


**THREE WAYS ON – OFF DIVERTING SERVICE PED 97/23/CE Art.3 Section.3**



**TYPE 1800 AD** Direct action  
n.c. B and open A - C

**TYPE 1800 AR** Reverse action  
n.o. A - B and closed C

**TYPE 1800 DE** Double effect  
No air failure position

**DESCRIPTION**

Type 1800 diverting service on – off valves are with three square ways with revolving connections. They are suggested for ON - OFF service in food and pharmaceutical where very high levels of flexibility and hygienic conditions are normally required. They are fitted with plug for on – off service (quick opening) with viton soft insert for a total shut-off. Compact construction assembled with a cylinder actuator with a signal range of 5 to 6 bar.

**SIZES** : from DN 15 to DN 100

**BODY CONNECTIONS** :

- Smooth welding caps according to DIN (Standard) A316 L
- Male tapped according to DIN 11851 A316L
- Female screwed according to DIN 11851 A316L
- Complete union according to DIN 11851 A316L
- Snap – clamp system according to DIN 405 A316L
- Flanged UNI 2277/78 PN 10-16 A316L

**MATERIALS OF BODY GROUP** :

- Stainless steel AISI 316 L – X2 Cr Ni Mo 1712 PN 10  
Polished version or satin version

**PLUG** :

- PT = quick lift for on – off service with viton FPM 70 soft insert

**PACKING** : N° 2 “O” rings FPM 70 ≤ 160°C

**TECHNICAL CHARACTERISTICS OF PNEUMATIC ACTUATOR:**

- Actuator : piston
- Control signals : 5-6 bar
- Max air supply pressure : 8 bar
- Ambient temperature : -20°C.....+70°C
- Actuator material : Stainless steel 1.3401
- Cylinder upper cover : PVC
- Connessioni pneumatiche : 1/8” NPT

**MAX WORKING CONDITIONS** :

- Max inlet pressure and temperature : 10 bar –15°C....+ 160°C
- Valve sizing : see leaflet 100/VP

**ON REQUEST** :

- Proximity limit switches
- 3-way solenoid valve

**CV = american unit (flowrate in US GPM with 1 psi of differential pressure)**

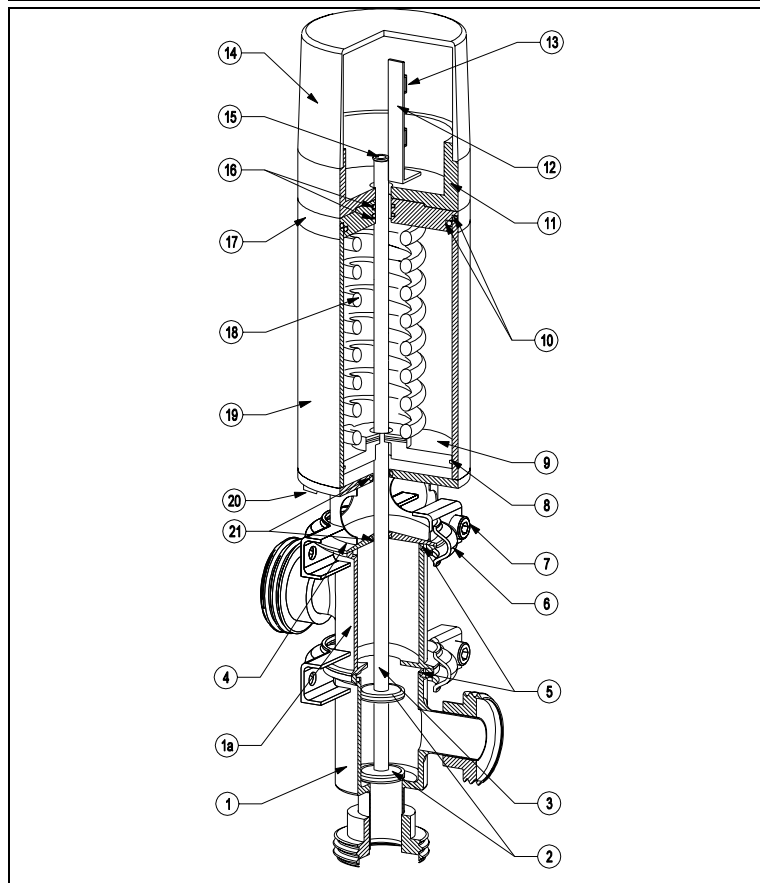
**Kv = metric unit (flowrate in m3/h with 1 bar of differential pressure)**

Plug Full bore		DN 15	DN 20	DN 25	DN 32	DN 40	DN 50	DN 65	DN 80	DN 100
		Ø 1/2”	Ø 3/4”	Ø 1”	Ø 1.1/4”	Ø 1.1/2”	Ø 2”	Ø 2.1/2”	Ø 3”	Ø 4”
PT	CV	6	9	14	20	29	48	82	117	187
	KV	5.2	7.8	12.0	17.2	24.9	41.3	70.5	100.6	160.8

## Maximum permissible pressure drops in Kg/cm<sup>2</sup> (fluid opens)

TYPE OF FUNCTION		NORMALLY OPEN	NORMALLY CLOSED	DOUBLE ACTION
Air Pressure (bar)		5 - 6		
DN	CYLINDER ACTUATOR SIZE	Maximum permissible pressure drops in Kg/cm <sup>2</sup>		
15	70	19	19	19
20	70	13	13	13
25	70	7	7	7
32	90	9	9	9
40	90	6	6	6
50	90	5.5	5.5	5.5
65	100	5.5	5.5	5.5
80	140	5	5	5
100	140	4	4	4

## COMPONENT LIST AND MATERIALS



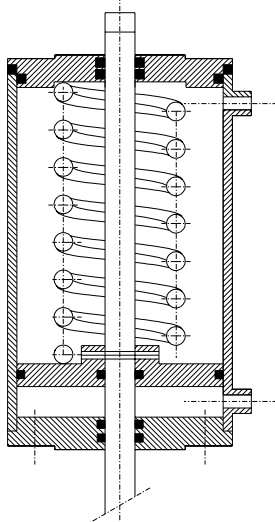
### COMPONENTS

1. Lower body
- 1a. Upper body
2. Soft seal plug
3. Stem
4. Upper body
5. Body gasket
6. Clamp
7. Clamp bolts
8. Cylinder O-Rings
9. Piston
10. External O-Rings
11. Cover basis
12. Limit switches bracket
13. Limit switches
14. Cylinder upper cover
15. Feeler
16. Internal O-Rings upper stem
17. Upper flange
18. Spring
19. Cylinder
20. Cylinder locknuts
21. O-rings aseptic room

### MATERIALS

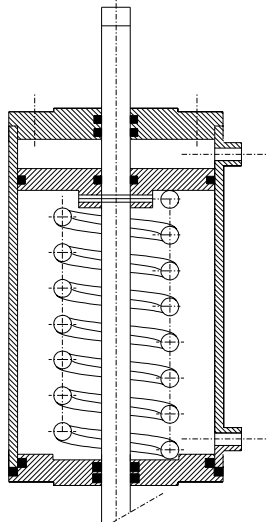
1. AISI 316 L St. Steel
- 1a. AISI 316 L St. Steel
2. AISI 316 L St. Steel + Viton FPM 70
3. AISI 316 L St. Steel
4. AISI 316 L St. Steel
5. Viton FPM 70
6. AISI 304 St. Steel
7. AISI 304 St. Steel
8. NBR
9. Anticorodal
10. Viton FPM 70
11. AISI 316 L St. Steel
12. Anticorodal
13. /
14. PVC
15. PVC
16. Viton FPM 70
17. AISI 304 St. Steel
18. C98 UNI 3823
19. AISI 304 St. Steel
20. AISI 304 St. Steel
21. Viton FPM 70

### AR - REVERSE ACTION



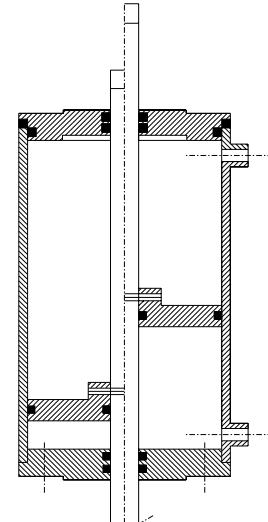
Air connection 1/8" NPT

### AD - DIRECT ACTION



Air connection 1/8" NPT

### DE - DOUBLE EFFECT



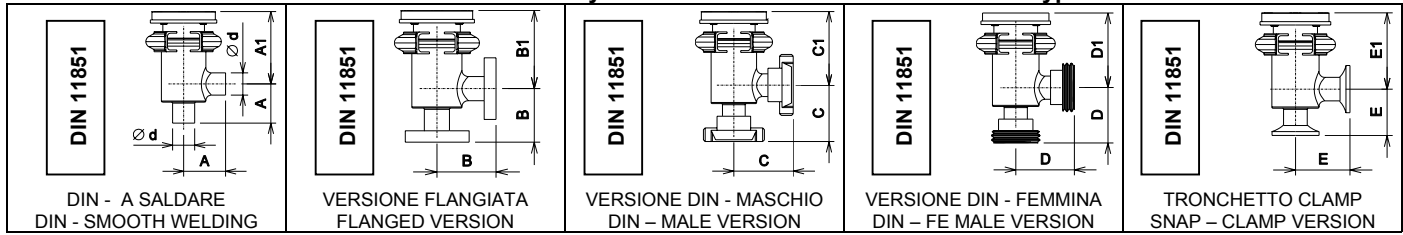
Air connection 1/8" NPT

## DIMENSIONS (See leaflet DIMHY/I/E)

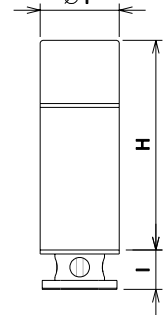
Specifications given are only indicative and not binding for the manufacturer who reserve the right to carry-out any modifications deemed necessary without prior notice.



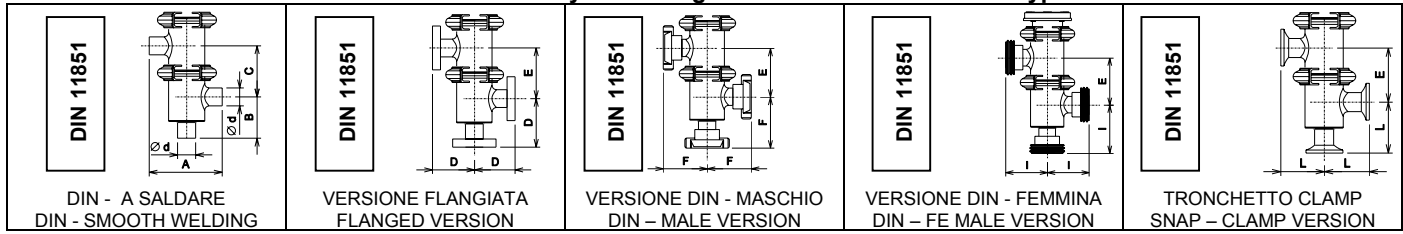
**SEGGIO SINGOLO 2 VIE ON - OFF / 2 Ways Pneumatic ON - OFF Valve TIPO / Type 1300 AD - AR - DE**



DN	Ø	A	A1	Ø d	B	B1	C	C1	D	D1	E	E1	Ø F	H	I
15	1/2"	38	66	18	65	66	43	66	47	66	50.7	66	70	230	25
20	3/4"	38	66	22	70	66	44	66	50	66	50.7	66	70	230	25
25	1"	52	68	28	75	68	59	68	66	68	64.7	68	70	230	29
32	1 1/4"	56	71	34	90	71	63	71	70	71	68.7	71	88.9	272	42
40	1 1/2"	64	75.5	40	95	75.5	70	75.5	77	75.5	76.7	75.5	88.9	272	42
50	2"	72	76	52	105	66	78	66	85	66	84.7	66	88.9	272	42
65	2 1/2"	86	78	70	115	78	93	78	101	78	98.7	78	101.6	291	42
80	3"	109	89.5	85	125	89.5	116	89.5	125	89.5	121.7	89.5	141.3	315	55
100	4"	119	98	101.6	135	98	126	98	137	98	131.7	98	141.3	315	55



**TRE VIE DEVIATRICE ON - OFF / 3 Ways Diverting Service ON - OFF TIPO / Type 1800 AD - AR - DE**



DN	Ø	A	B	C	Ø d	D	E	F	I	L	Ø F	M	N
15	1/2"	76	38	66	18	65	66	43	47	50.7	70	230	25
20	3/4"	76	38	66	22	70	66	44	50	50.7	70	230	25
25	1"	104	52	72	28	75	72	59	66	64.7	70	230	29
32	1 1/4"	112	56	76	34	90	76	63	70	68.7	88.9	272	42
40	1 1/2"	128	64	86	40	95	86	70	77	76.7	88.9	272	42
50	2"	144	72	96	52	105	96	78	85	84.7	88.9	272	42
65	2 1/2"	172	86	114	70	115	114	93	101	98.7	101.6	291	42
80	3"	218	109	135	85	125	135	116	125	121.7	141.3	315	55
100	4"	238	119	152	101.6	135	152	126	137	131.7	141.3	315	55

